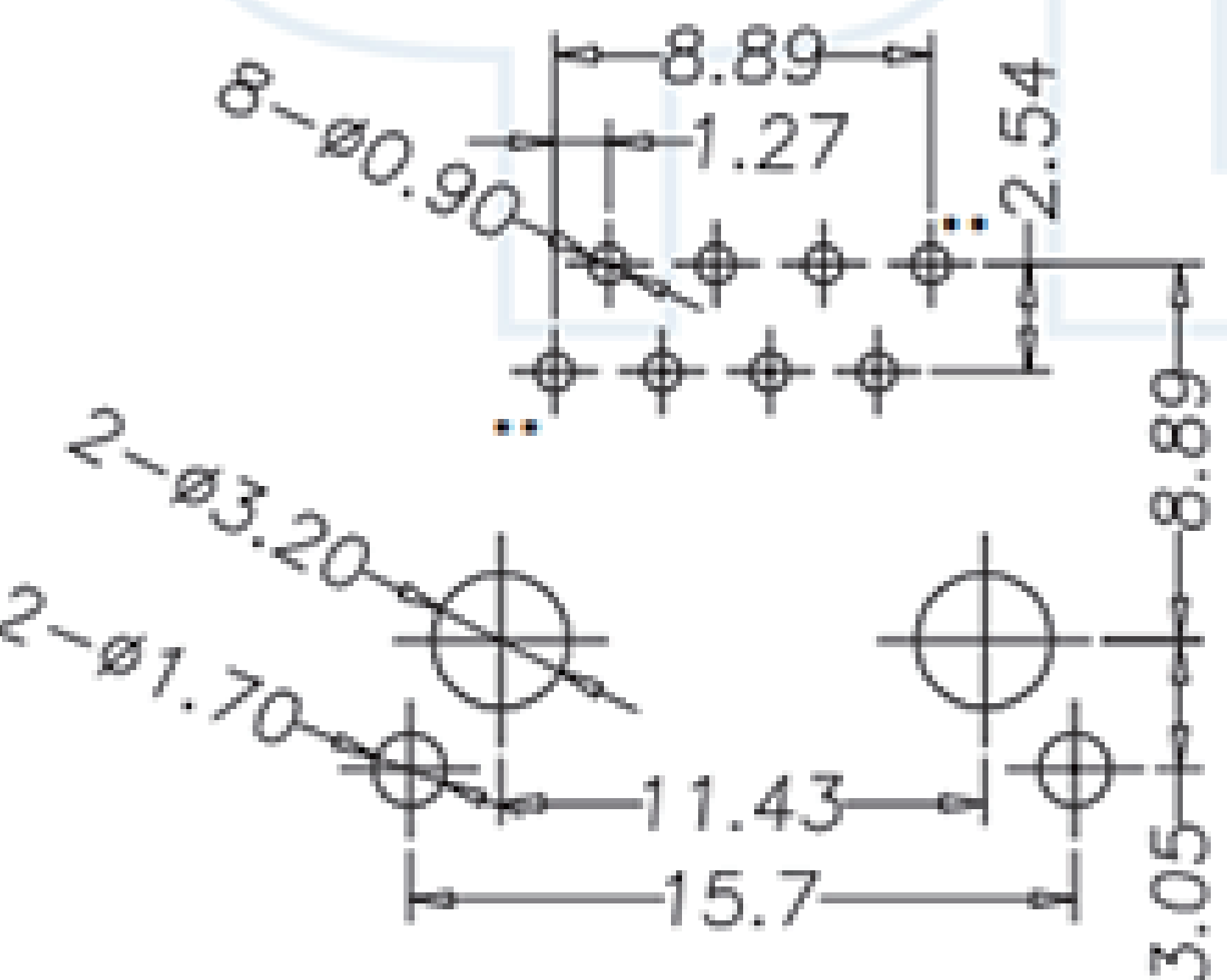
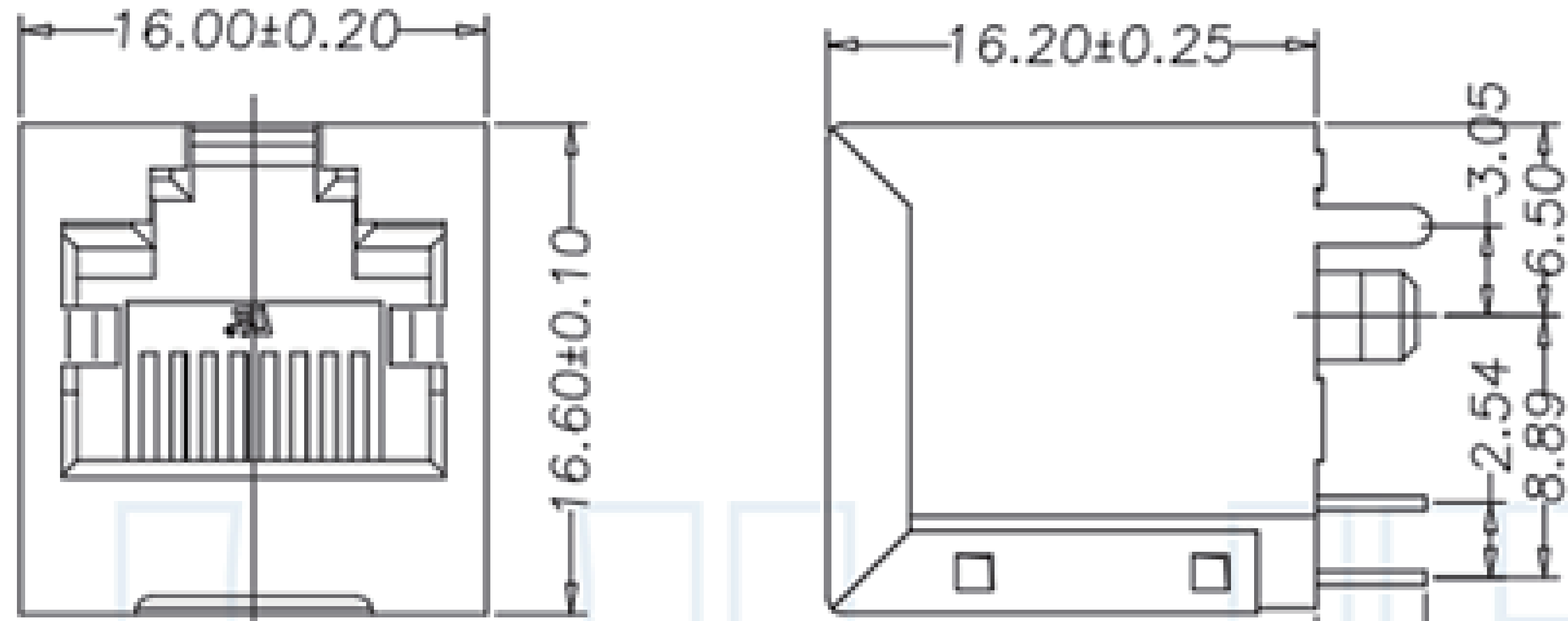


1 2 3 4 5 6 7 8 9

ANGLE	± 5°	REV	LOCAS	DESCRIPTION	DESIGN	DATE	日期
X.XXX	±0.05	01			DRAWN	DATE	日期
X.XX	±0.15	02			CHECKED	DATE	日期
X.X	±0.25	03			AUDITED	DATE	日期
X	±0.50	04			APPROVED	DATE	日期



- NOTES:
- ELECTRICAL:**
- 1. VOLTAGE RATING : 125 VAC RMS.
 - 2. CURRENT RATING : 1.5 AMP.
 - 3. CONTACT RESISTANCE : 30 MILLIOMHMAX
 - 4. INSULATION RESISTANCE : 500 MEGOHMS MIN @ 500 VDC.
 - 5. DIELECTRIC STRENGTH : 1000 VAC RMS 50Hz or 60Hz, 1MIN.
- MECHANICAL:**
- 1. HOUSING & INSERT MATERIAL : PBT UL94V-0.
 - 2. CONTACT MATERIAL : DIAMETER: 0.9MM PROSPER BRONZE GOLD PLATING OVER NICKEL.
 - 3. SHIELD : 0.20"±0.25MM THICKNESS BRASS WITH TIN PLATED.
 - 4. MATING/UNMATING FORCE : 2.2KG F MAX.
 - 5. RETENTION STRENGTH : 7.7KG F MIN BETWEEN JACK AND PLUG.
 - 6. OPERATING LIFE : 600 CYCLES MIN.
- ENVIRONMENTAL:**
- 1. STORAGE : -10°C ~+40°C RELATIVE HUMIDITY<70%
 - 2. OPERATION : -40°C ~+70°C



YLIES 东莞市瑞翔精密连接器有限公司
DONG GUAN YLIES PRECISE CONNECTOR CO.,LTD

Tel:0769-85381995 / Fax:0769-85493987 / Email: ylies@ylies-china.com / Web:www.ylies-china.com

TITLE: 216-11-1 DATE: 2013-01-04

PROJECTON	REV A	UNIT mm	SCALE 1:1	PAGE 1/1
-----------	-------	---------	-----------	----------

PART NO: DRAWING NO:

1 2 3 4 5 6 7 8 9