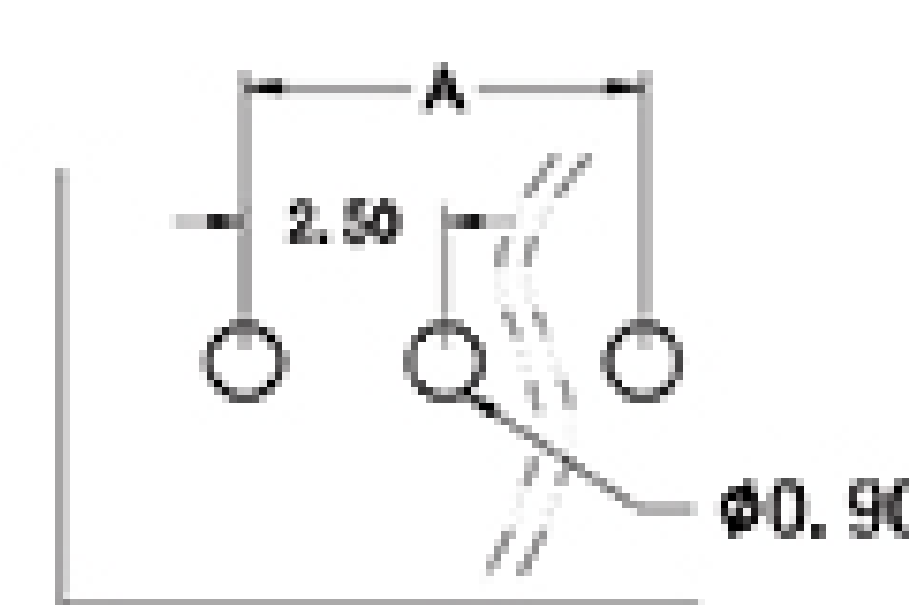
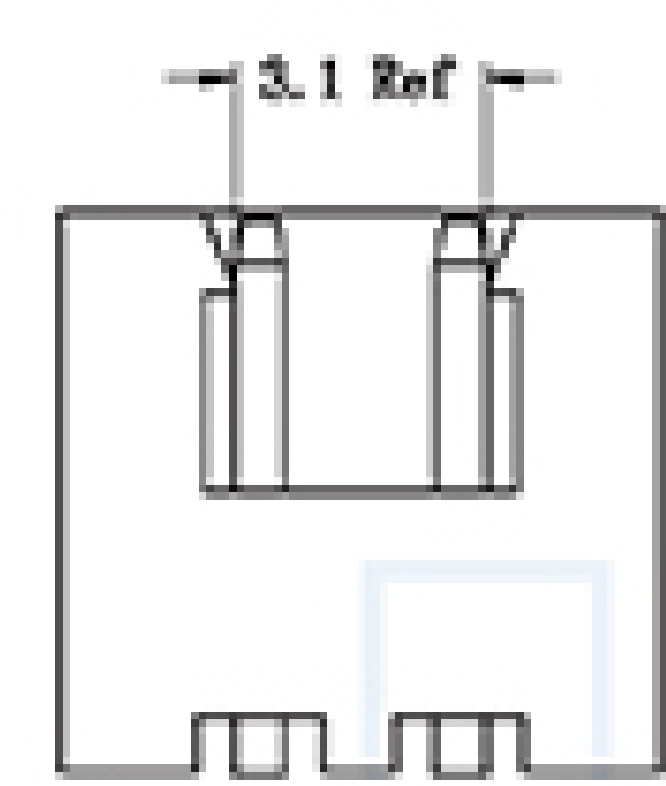
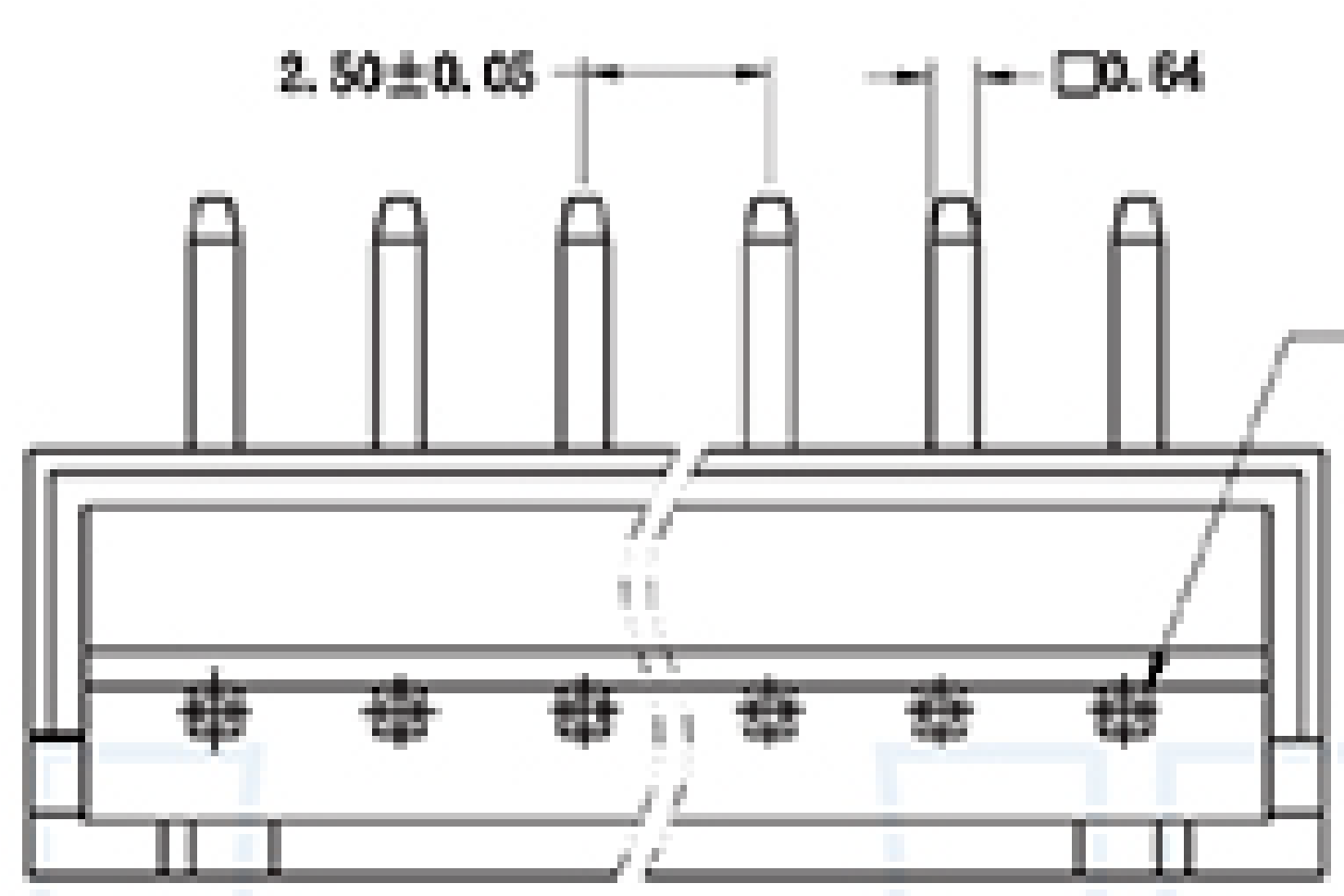


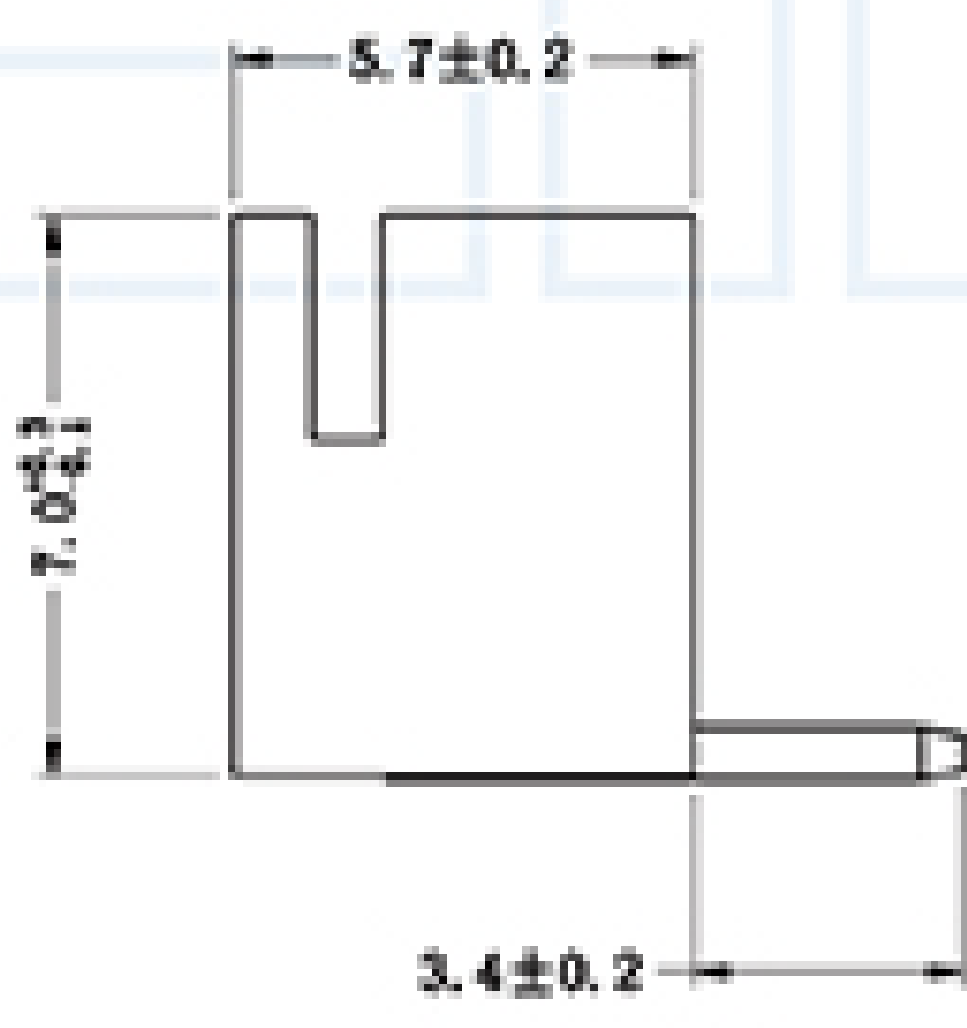
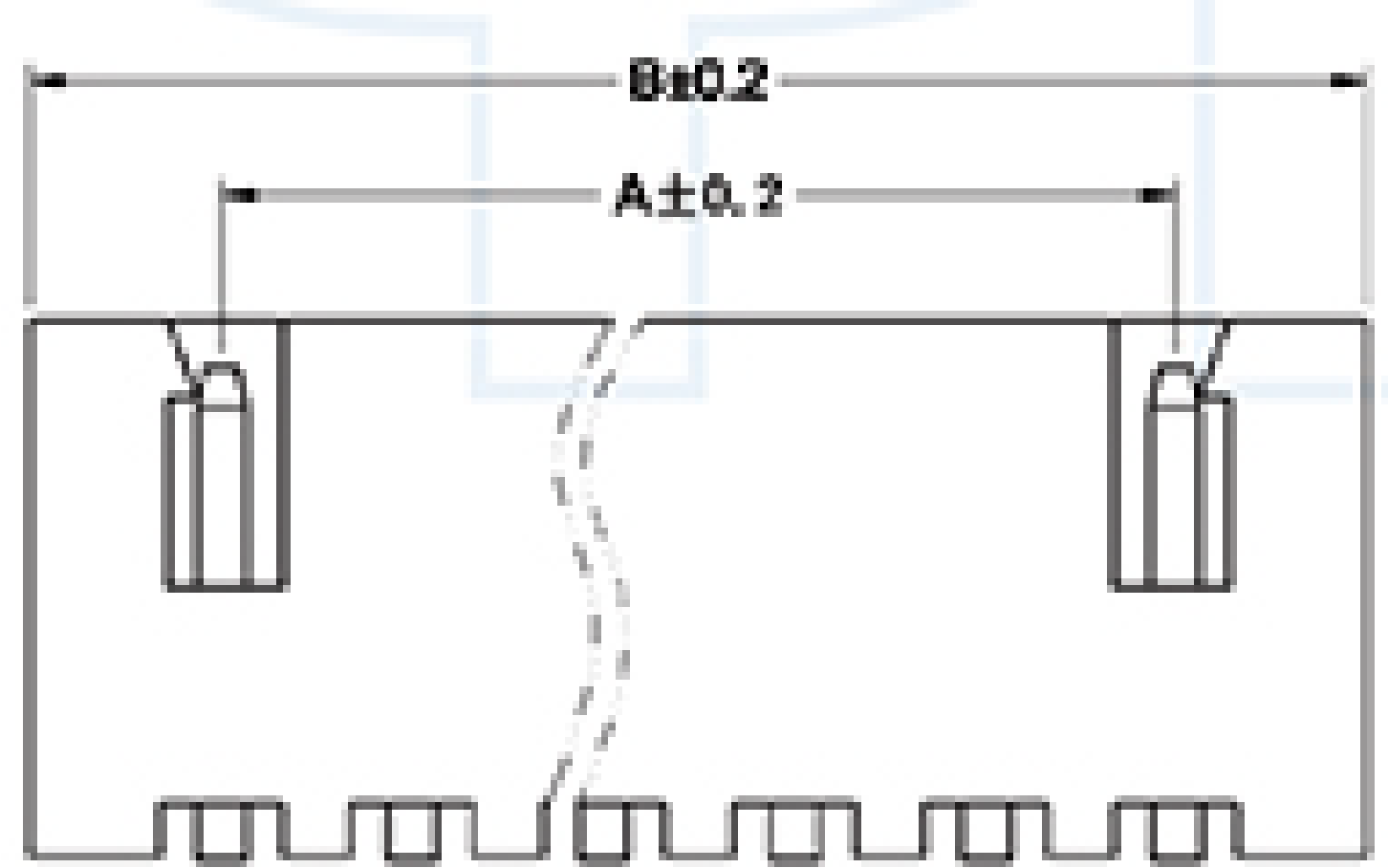
1 2 3 4 5 6 7 8 9

ANGLE	± 5°	REV	LOCAS	DESCRIPTION	DESIGN	DATE	设计师
X.XXX	± 0.05	01			DRAWN	DATE	内修
X.XX	± 0.15	02			CHECKED	DATE	吴汉学
X.X	± 0.25	03			AUDITED	DATE	曾松松
X	± 0.50	04			APPROVED	DATE	eric



P. C. B LAYOUT

2 Pin



Poles	尺寸	
	A	B
2	2.5	7.5
3	5.0	10.0
4	7.5	12.5
5	10.0	15.0
6	12.5	17.5
7	15.0	20.0
8	17.5	22.5
9	20.0	25.0
10	22.5	27.5
11	25.0	30.0
12	27.5	32.5
13	30.0	35.0
14	32.5	37.5
15	35.0	40.0
20	37.5	42.5

- 技术参数 SPECIFICATIONS**
- ◆ 间距: 2.5 Pitch: 2.5
 - ◆ 极数: 2~20 Poles: 2~20
 - ◆ 额定电压: AC, DC, 250V (250HZ有效值)
Voltage rating: AC, DC, 250V (250HZ)
 - ◆ 额定电流: 3.0A, AC, DC
Current rating: 3.0A, AC, DC
 - ◆ 耐压值: 1000V AC/minute
Withstand voltage: 1000V AC/minute
 - ◆ 工作温度: -25℃~+85℃
Working Temperature: -25℃~+85℃
 - ◆ 绝缘电阻: >, 1000 MΩ
Insulation resistance: >, 1000 MΩ
 - ◆ 接触电阻: < 0.02 Ω
Contact resistance: < 0.02 Ω
 - ◆ 适用印制板厚度: 1.6mm
Applicable PC board thickness: 1.6mm

- 材料 MATERIAL**
- ◆ 接触件: 黄铜 (Brass)
 - ◆ 塑胶本体: PA66, UL 94V-0

- 包装方式 PACKAGE**
- ◆ 袋装 Bag Package

YLIES 东莞市瑞翔精密连接器有限公司
DONG GUAN YLIES PRECISE CONNECTOR CO.,LTD

Tel: 0769-85381995 / Fax: 0769-85493987 / Email: ylies@ylies-china.com / Web: www.ylies-china.com

TITLE XH2.5-nAW 成品图 DATE 2014-02-10

PROJECTON	REV A	UNIT mm	SCALE 1:1	PAGE 1/1
-----------	-------	---------	-----------	----------

PART NO: DRAWING NO:

1 2 3 4 5 6 7 8 9