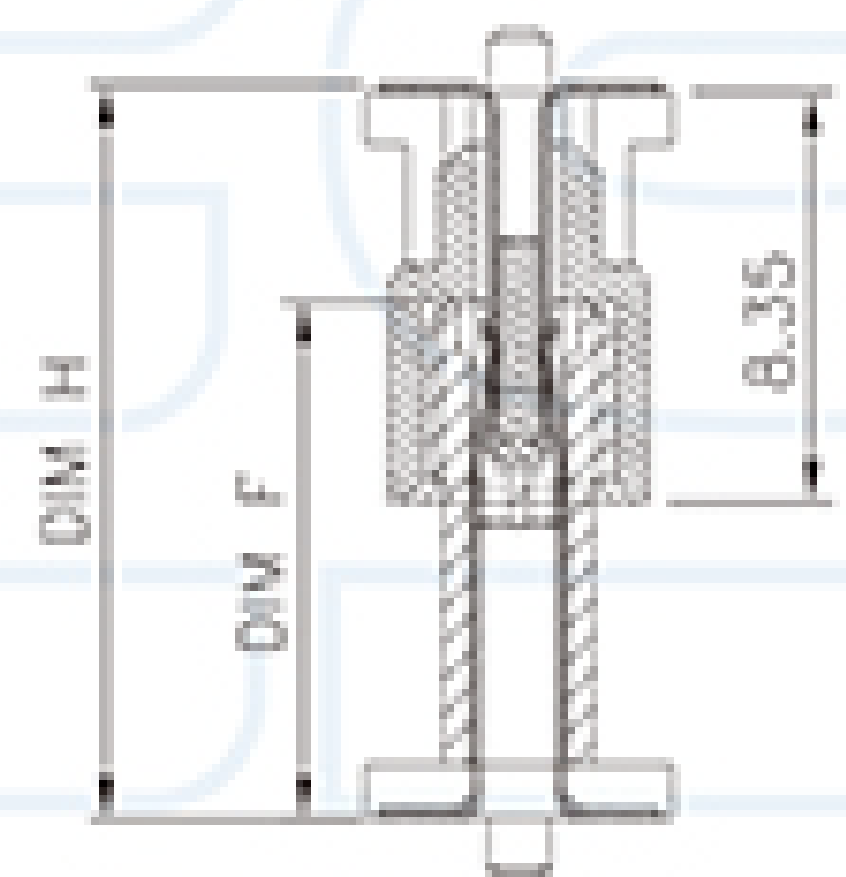
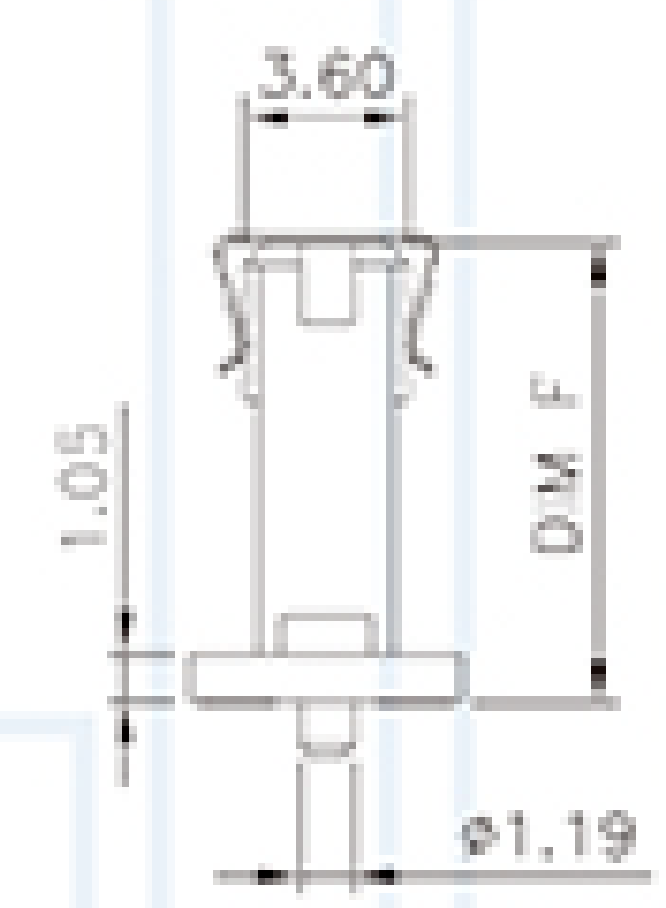
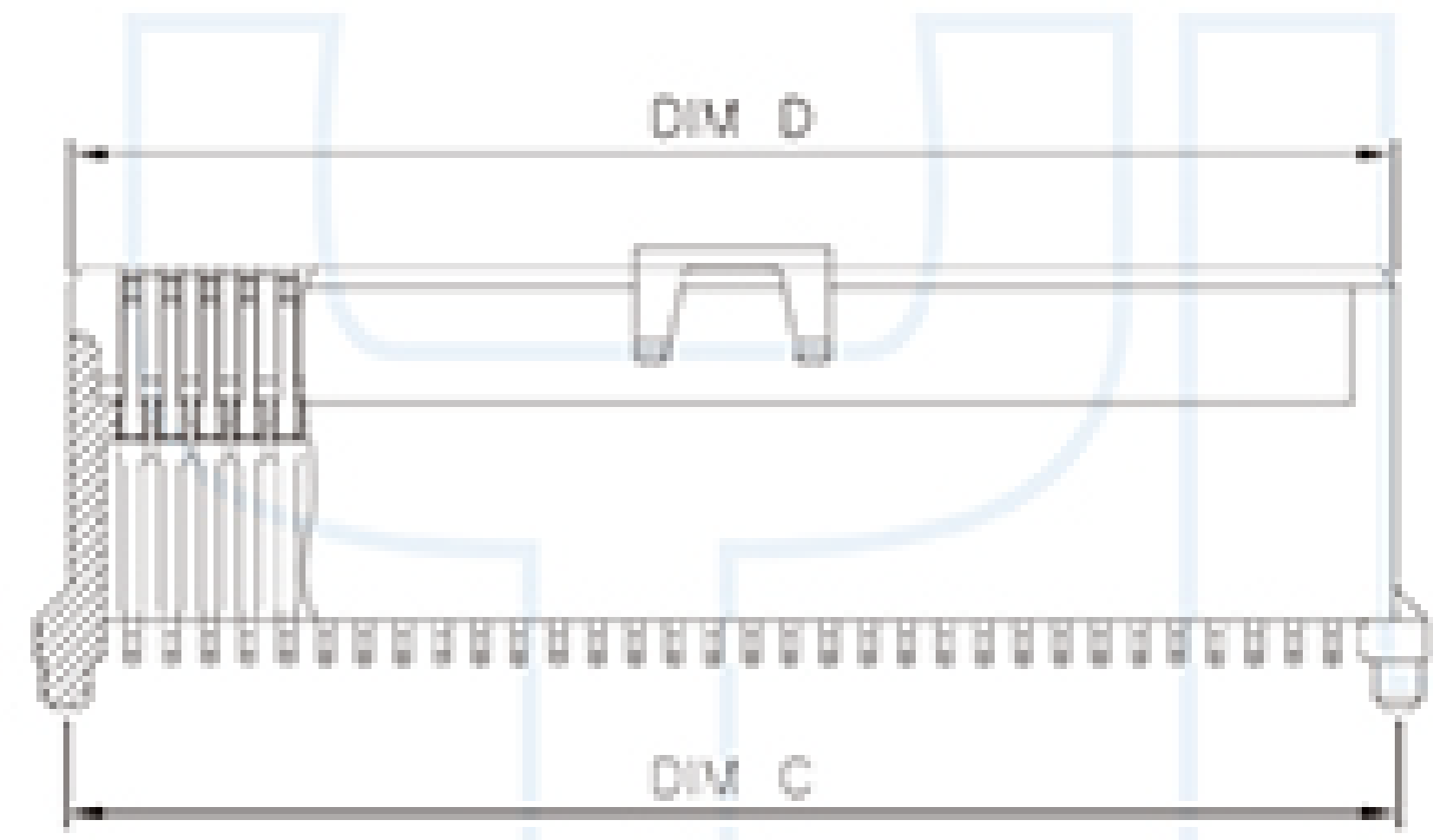
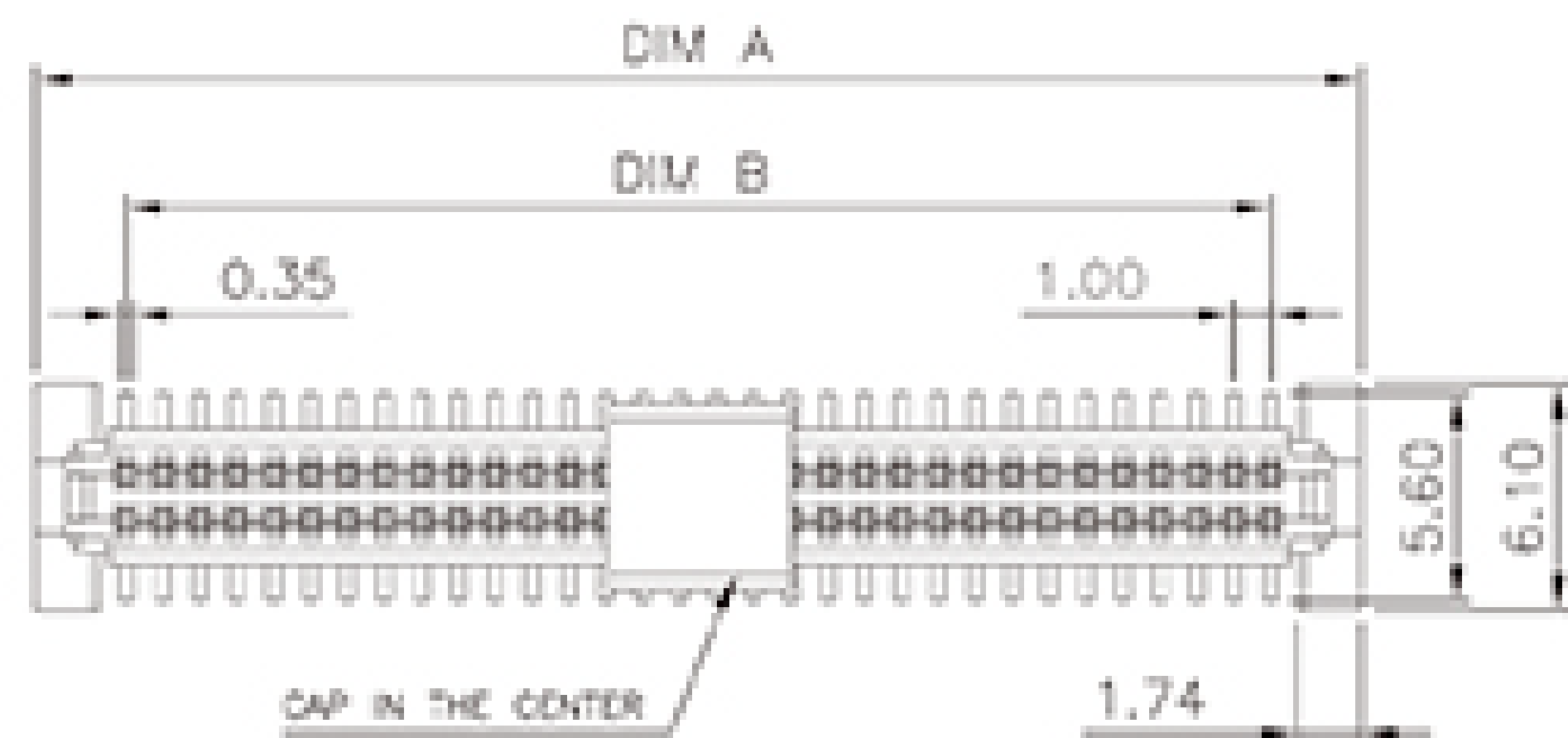




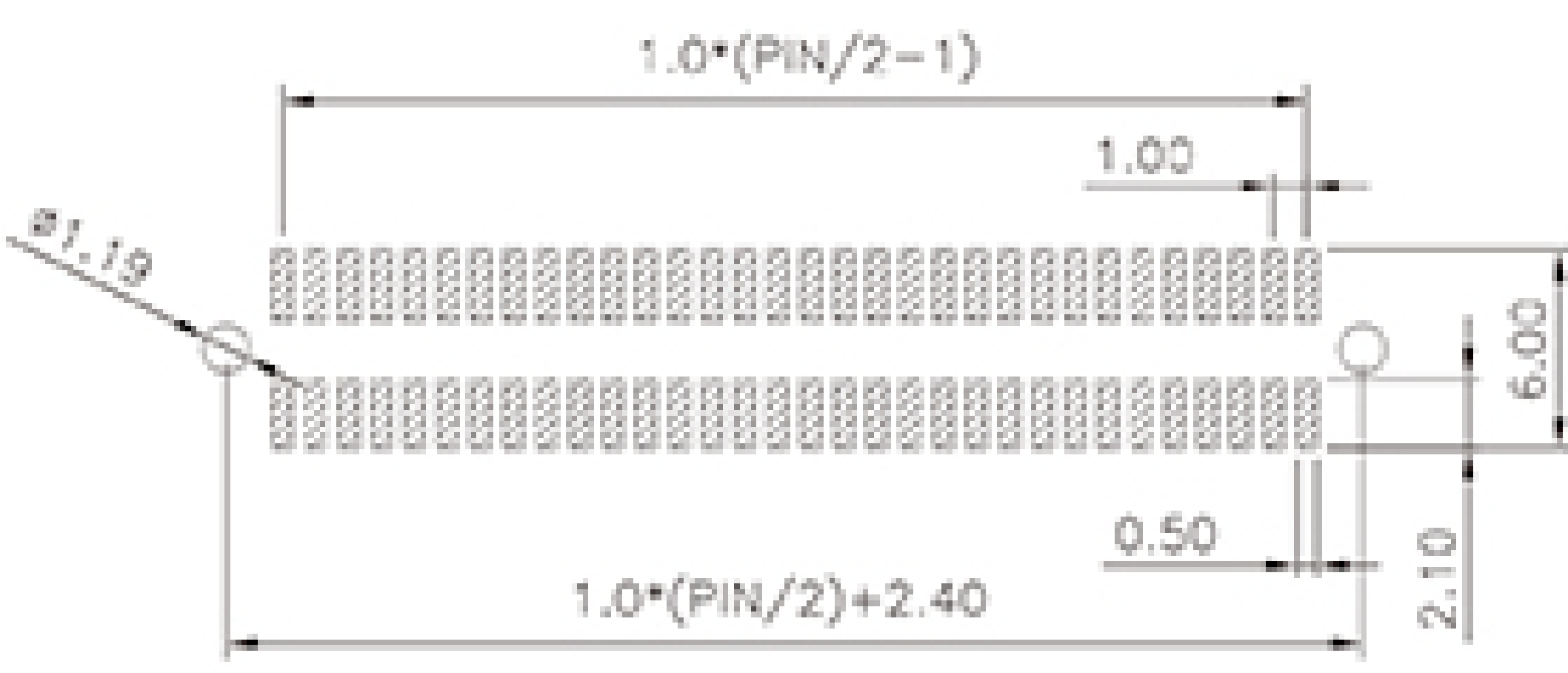
ANGLE	± 5°	REV	LOCAS	DESCRIPTION	DESIGN	DATE	设计师
X.XXX	± 0.05	01			DRAWN	DATE	内修
X.XX	± 0.15	02			CHECKED	DATE	吴汉学
X.X	± 0.25	03			AUDITED	DATE	曹松松
X	± 0.50	04			APPROVED	DATE	eric



ELECTRICAL:
 VLOTAG RATING:50V AC(RMS)/DC
 CURRENT RATING:0.5A AC(RMS)/DC
 CONTACT RESISTANCE:50MΩ MAX
 INSULATION RESISTANCE:100MΩ MIN
 DIELECTRIC WITHSTANDING VOLTAGE:200V AC R.M.S
 OPERTING TEMPERATURE:-30℃~ +80℃
MATERIRLS
 HOUSING:HIGH TEMPERATURE PLASTIC
 UL94V-0
 TERMINAL:COPPER ALLOY
 MATERIAL:LCP
 CONTACT:PHOSPHOR BRONAE,GOLD PLATING.

DIM F	DIM H
5.35	9.65
10.35	14.65

MATING DRAW REF



PIN No.	DIM A	DIM B	DIM C	DIM D
50	28.90	24.00	27.40	27.22
64	35.90	31.00	34.40	34.22
70	38.90	34.00	37.40	37.22
100	53.90	49.00	52.40	52.22

YLIES 东莞市瑞祥精密连接器有限公司
 DONG GUAN YLIES PRECISE CONNECTOR CO.,LTD

TITLE 1.0MM BOARD TO BOARD SOCKET 10.3MM HEIGHT 单槽式 **DATE** 2020-04-18

Tel:0769-85381995 / Fax:0769-85493987 / Email: ylies@ylies-china.com / Web:www.ylies-china.com

PROJECTON	REV A	UNIT mm	SCALE 1:1	PAGE 1/1
-----------	-------	---------	-----------	----------

PART NO: **DRAWING NO:**

1 2 3 4 5 6 7 8 9