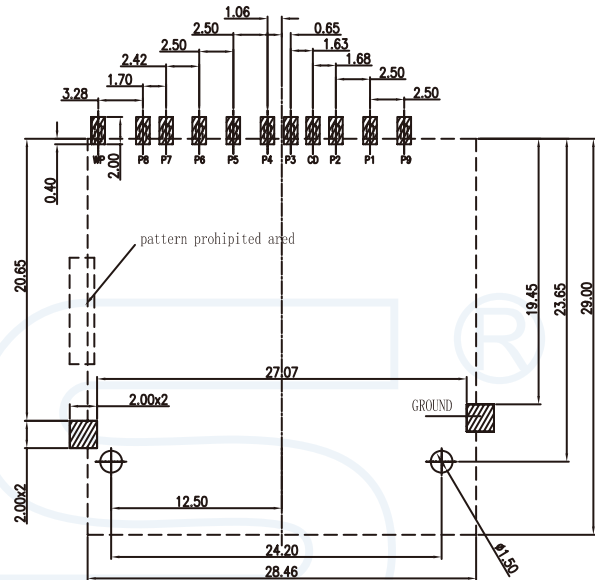
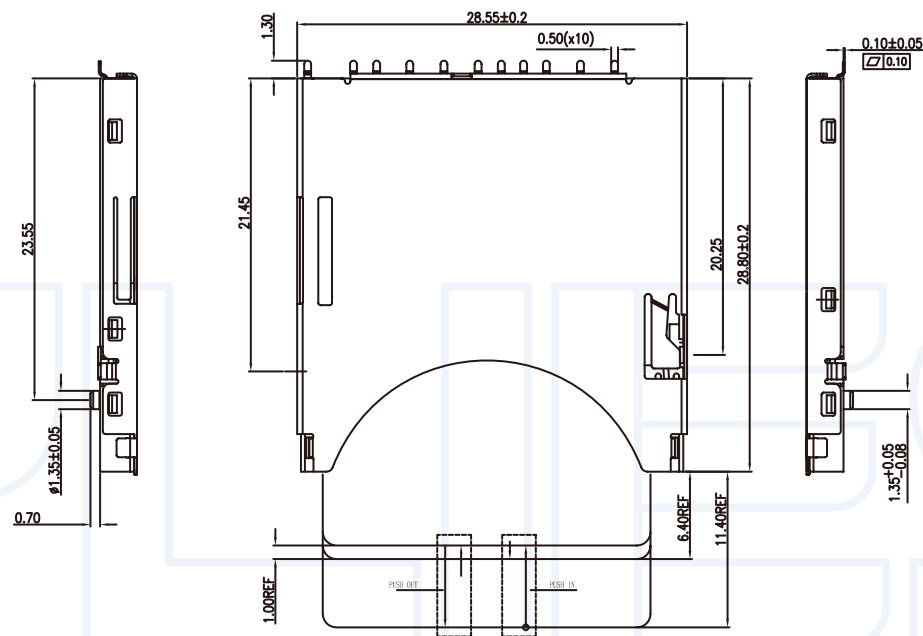
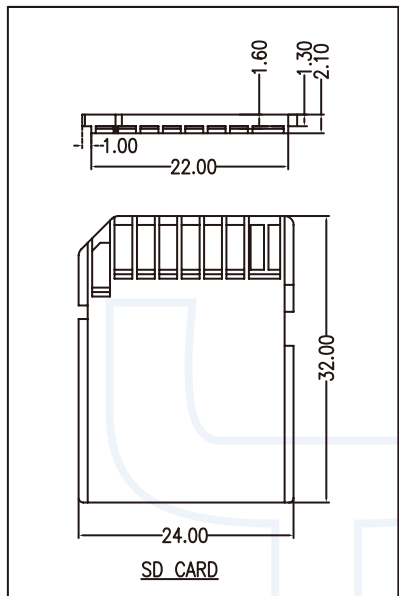


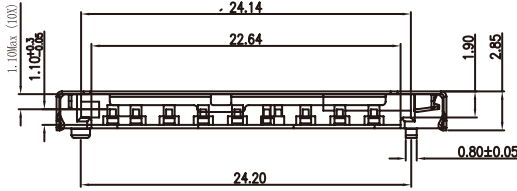
ANGLE	± 5°	REV	LOCAS	DESCRIPTION	DESIGN	DATE	卫国峰
X.XXX	± 0.05	01			DRAWN	DATE	尚伟
X.XX	± 0.15	02			CHECKED	DATE	吴汉学
X.X	± 0.25	03			AUDITED	DATE	龚劲松
X	± 0.50	04			APPROVED	DATE	eric



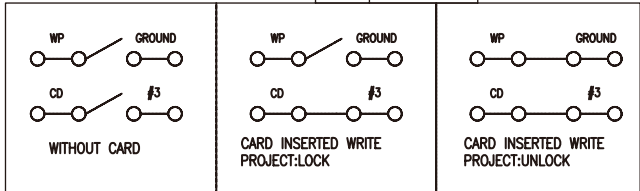
**Specifications/  
备注 (Remark)**

1-材料 (MATERIAL)  
 胶芯: LCP UL94V-0 Housing:LCP UL94V-0  
 端子: 黄铜 Contact: Copper Alloy

2-特性 (characteristics):  
 额定电流: 1.0 AMP. Raring Current:1.0 AMP .  
 接触阻抗: ≤30mΩ MAX. Contact Resistance:≤30mΩ MAX.  
 绝缘阻抗: ≥1000MΩMIN. Insulating Resistance:≥1000MΩMIN.  
 耐电压: 500V AC/MINUTE Withstanding Voltage:500V AC/MINUTE  
 温度范围: -20度至+85度 Temperature Range: -20°Cto +85°C



PIN NO.	PIN ASSIGNMENT	PIN NO.	PIN ASSIGNMENT
PIN1	CD/DAT3	PIN6	VSS2
PIN2	CMD	PIN7	DAT0
PIN3	VSS1	PIN8	DAT1
PIN4	VDD	PIN9	DAT2
PIN5	CLK		



**YLIES** 东莞市瑞翔精密连接器有限公司  
 DONG GUAN YLIES PRECISE CONNECTOR CO.,LTD

Tel:0769-85381995 / Fax:0769-85493987 / Email: ylies@ylies.cn / Web:www.ylies.cn

PROJECTON REV A UNIT mm SCALE 1:1 PAGE 1/1

TITLE 525-SD卡座 DATE 2018-02-18

PART NO: EMC01100028007X DRAWING NO:

F  
E  
D  
C  
B  
A

F  
E  
D  
C  
B  
A