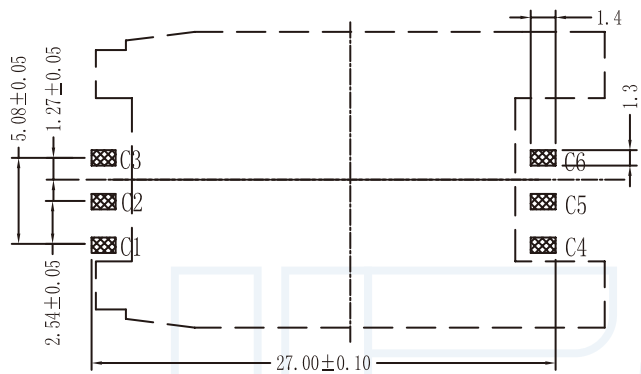
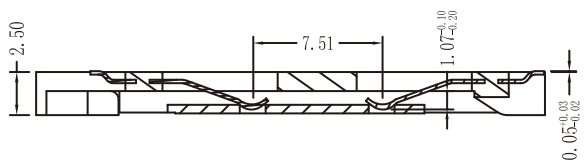
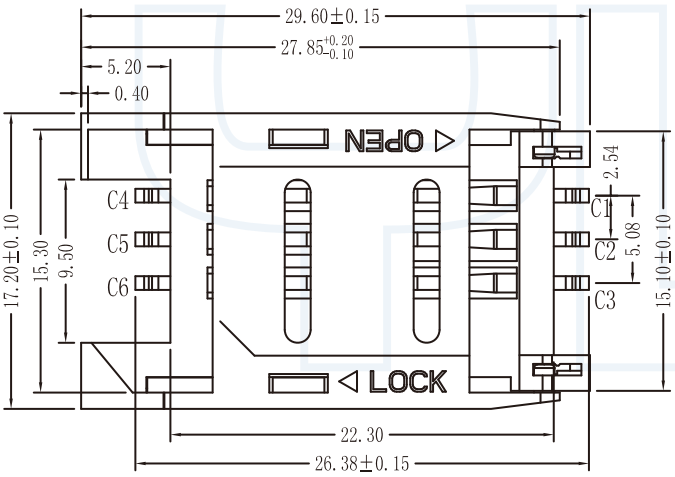
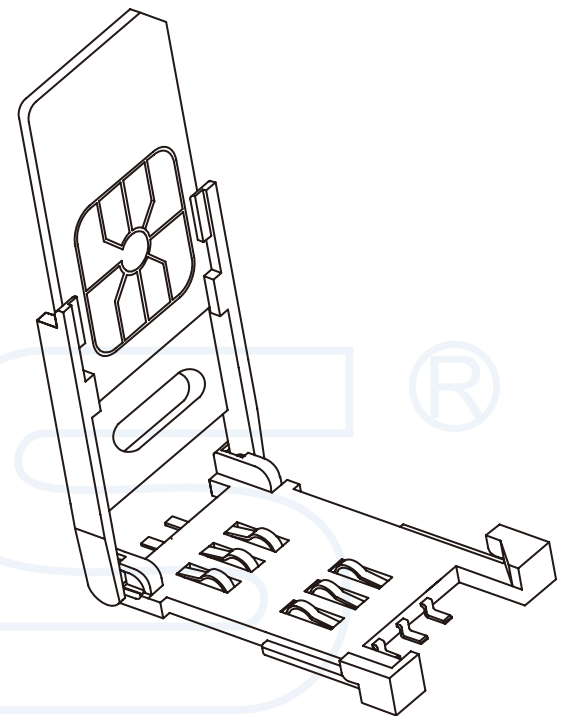


ANGLE	± 5°	REV	LOCAS	DESCRIPTION	DESIGN	DATE	卫国峰
X.XXX	± 0.05	01			DRAWN	DATE	尚伟
X.XX	± 0.15	02			CHECKED	DATE	吴汉学
X.X	± 0.25	03			AUDITED	DATE	龚劲松
X	± 0.50	04			APPROVED	DATE	eric



Recommended P.C.B Layout



**Specifications/  
备注 (Remark)**

- 1-材料 (MATERIAL)  
 胶芯: LCP UL94V-0 Housing: LCP UL94V-0  
 端子: 黄铜 Contact: Copper Alloy
- 2-特性 (characteristics):  
 额定电流: 1.0 AMP. Raring Current: 1.0 AMP .  
 接触阻抗: ≤30mΩ MAX. Contact Resistance: ≤30mΩ MAX.  
 绝缘阻抗: ≥1000MΩMIN. Insulating Resistance: ≥1000MΩMIN.  
 耐电压: 500V AC/MINUTE Withstanding Voltage: 500V AC/MINUTE  
 温度范围: -20度至+85度 Temperature Range: -20°Cto +85°C

**PIN ASSIGNMENT:**

PIN NO	PIN NAME
C1	VCC
C2	RST
C3	CLK
C4	GND
C5	VPP
C6	I/O

**YLIES** 东莞市瑞翔精密连接器有限公司  
 DONG GUAN YLIES PRECISE CONNECTOR CO.,LTD

Tel:0769-85381995 / Fax:0769-85493987 / Email: ylies@ylies.cn / Web:www.ylies.cn

**TITLE** 522-SIM卡座掀盖式带内柱

**DATE** 2018-02-18

PROJECTON REV A UNIT mm SCALE 1:1 PAGE 1/1

**PART NO:** ESIM010625425001

**DRAWING NO:**