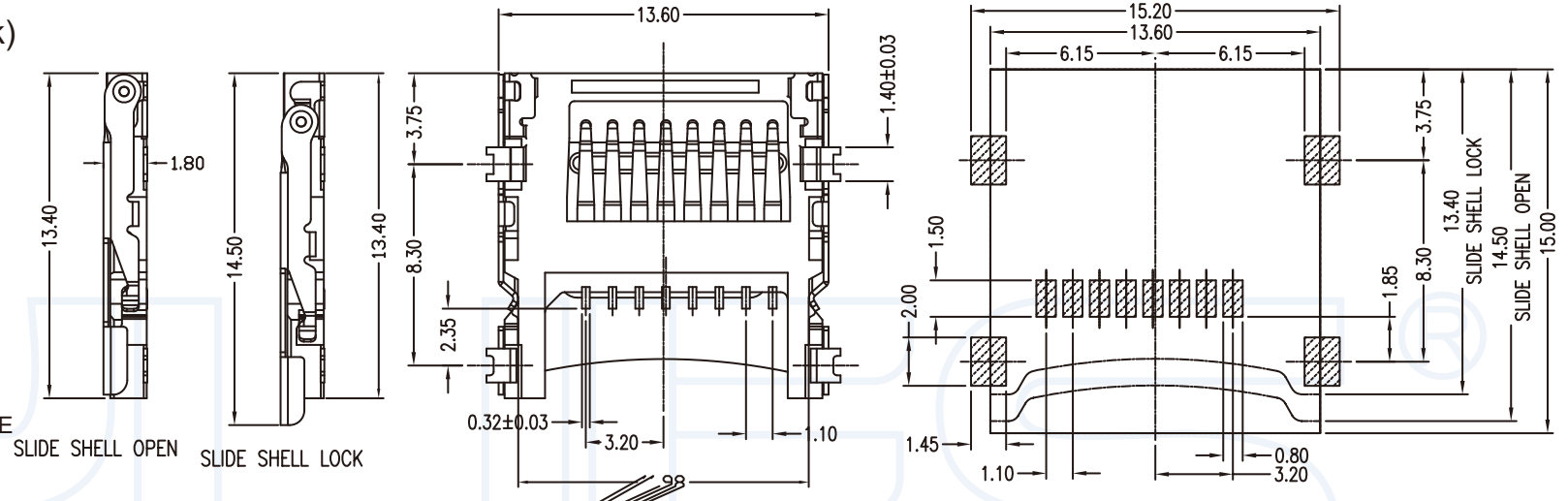


ANGLE	± 5°	REV	LOCAS	DESCRIPTION	DESIGN	DATE	卫国峰
X.XXX	± 0.05	01			DRAWN	DATE	尚伟
X.XX	± 0.15	02			CHECKED	DATE	吴汉学
X.X	± 0.25	03			AUDITED	DATE	龚劲松
X	± 0.50	04			APPROVED	DATE	eric

Specifications/备注 (Remark)

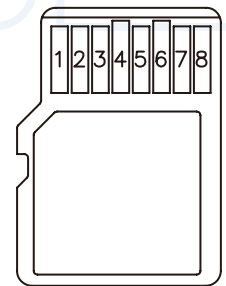
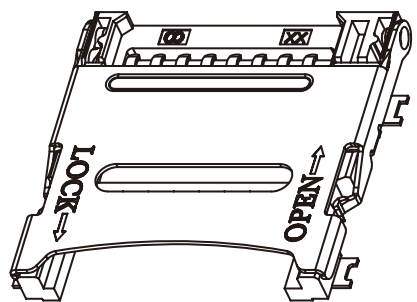
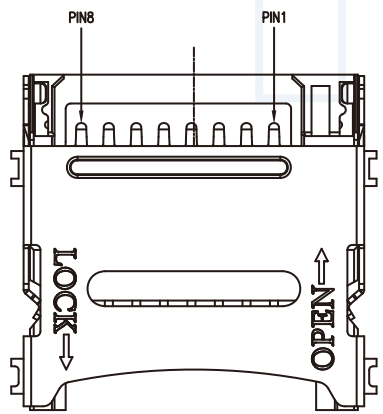
1-材料 (MATERIAL)
 胶芯: LCP UL94V-0
 Housing:LCP UL94V-0
 端子: 黄铜
 Contact: Copper Alloy

2-特性 (characteristics):
 额定电流: 0.5 AMP.
 Raring Current:0.5 AMP .
 接触阻抗: ≤40mΩ MAX.
 Contact Resistance:≤40mΩ MAX.
 绝缘阻抗: ≥1000MΩMIN.
 Insulating Resistance:≥1000MΩMIN.
 耐电压: 500V AC/MINUTE
 Withstanding Voltage:500V AC/MINUTE
 温度范围: -25度至+90度
 Temperture Range: -25°Cto +90°C



RECOMMENDED PCB LAYOUT

TOLERANCE:±0.05



T-FLASH CARD
SCALE 2:1

PIN NO.	NAME
PIN 1	DTA2
PIN 2	CD/DAT3 ²
PIN 3	CMD
PIN 4	VDD
PIN 5	CLK
PIN 6	VSS
PIN 7	DAT0
PIN 8	DAT1

YLIES 东莞市瑞翔精密连接器有限公司
 DONG GUAN YLIES PRECISE CONNECTOR CO.,LTD

Tel:0769-85381995 / Fax:0769-85493987 / Email: ylies@ylies.cn / Web:www.ylies.cn

TITLE 517-TF卡座掀盖式贴片

DATE 2018-02-18

PROJECTON REV A UNIT mm SCALE 1:1 PAGE 1/1

PART NO: ETF020818505X

DRAWING NO: