

ANGLE	± 5°	REV	LOCAS	DESCRIPTION	DESIGN	DATE	卫国峰
X.XXX	± 0.05	01			DRAWN	DATE	尚伟
X.XX	± 0.15	02			CHECKED	DATE	吴汉学
X.X	± 0.25	03			AUDITED	DATE	龚劲松
X	± 0.50	04			APPROVED	DATE	eric

Specifications/备注 (Remark)

1-材料 (MATERIAL)

胶芯: LCP UL94V-0

Housing:LCP UL94V-0

端子: 铜合金

Contact: Copper Alloy C2680

铁壳: Shell: SUS304

2-特性 (characteristics):

额定电流: 1.0 AMP.

Rating Current:1.0 AMP.

接触阻抗: ≤30mΩ MAX.

Contact Resistance:≤30mΩ MAX.

绝缘阻抗: ≥100MΩMIN.

Insulating Resistance:≥1-00MΩMIN.

耐电压: 300V AC/MINUTE

Withstanding Voltage:300V AC/MINUTE

温度范围: -50度至+85度

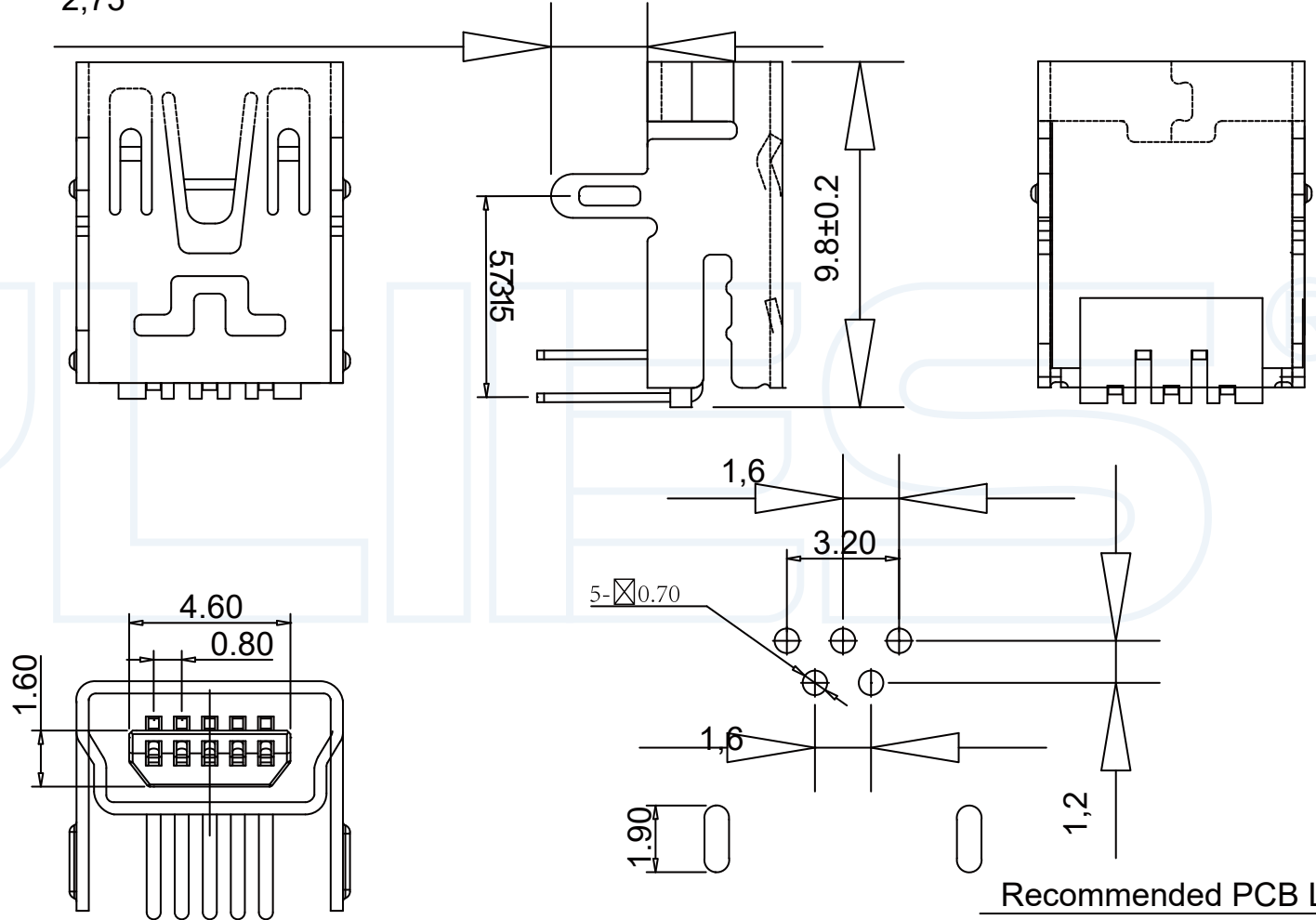
Temperature Range: -50°Cto +85°C

ORDERING INFORMATION

U - 2 F R B 0 E X D

USB	NO.OF PER ROW	1=ONE ROW 2=DUAL ROW	TERMINAL	M:MALE F:FEMALE	CONTACT PLATING	FULL OF GOLD SEMI-GOLD	A0=0.8u" B0=0.8u" A9=30u" B9=30U"	INSULATOR MATERIAL	A:PBT B:PA6T	COLOUR	B:BLACK L:BLUE	PACKING	A:PE Bag B:TUBE C:TRAY D:BOX
	CONTACTLE: LCP	SHAPE	S:STRAIGHT R:RIGHT ANGLE H:VERTICAL SIDE										

2,75



Recommended PCB Layout

YLIES 东莞市瑞翔精密连接器有限公司
DONG GUAN YLIES PRECISE CONNECTOR CO.,LTD

Tel:0769-85381995 / Fax:0769-85493987 / Email: ylies@ylies.cn / Web:www.ylies.cn

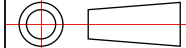
TITLE

514-MINI USB 母座双排90度

DATE

2018-02-18

PROJECTON



REV

A

UNIT

mm

SCALE

1:1

PAGE

1/1

PART NO:

U-2FRB0EBD

DRAWING NO:

1

2

3

4

5

6

7

8

9