

ANGLE	± 5°	REV	LOCAS	DESCRIPTION	DESIGN	DATE	卫国峰
X.XXX	± 0.05	01			DRAWN	DATE	尚伟
X.XX	± 0.15	02			CHECKED	DATE	吴汉学
X.X	± 0.25	03			AUDITED	DATE	龚劲松
X	± 0.50	04			APPROVED	DATE	eric

Specifications/备注 (Remark)

1-材料 (MATERIAL)

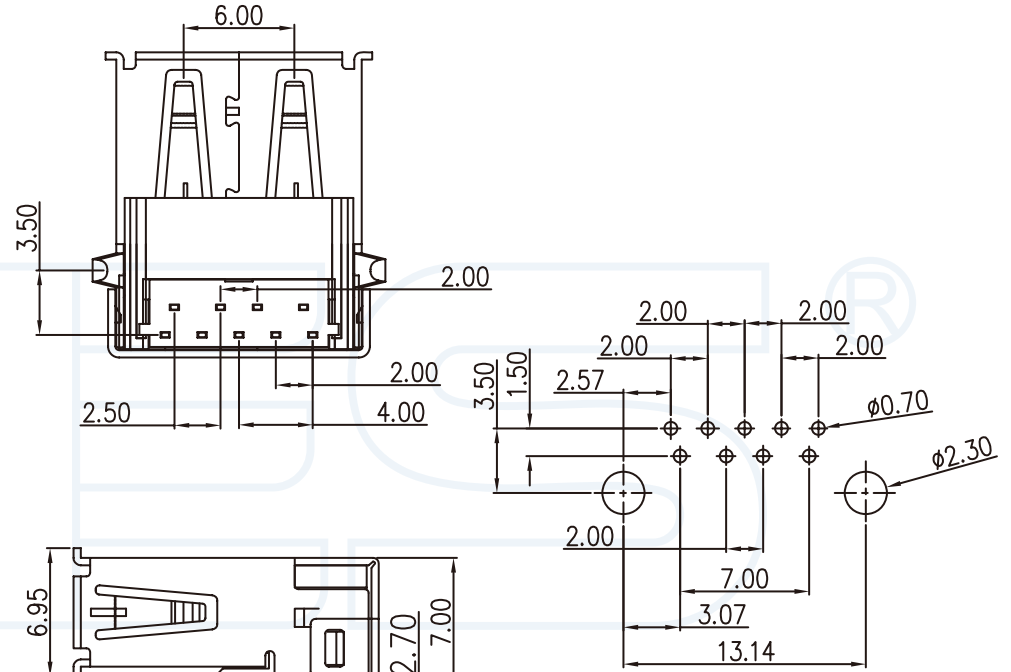
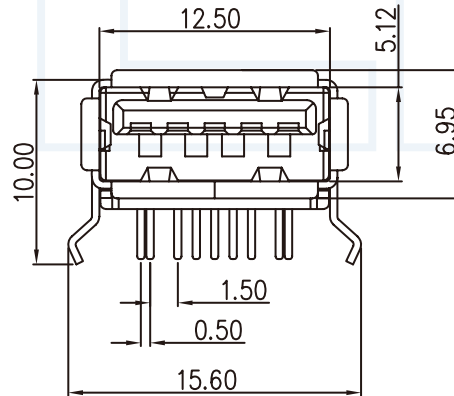
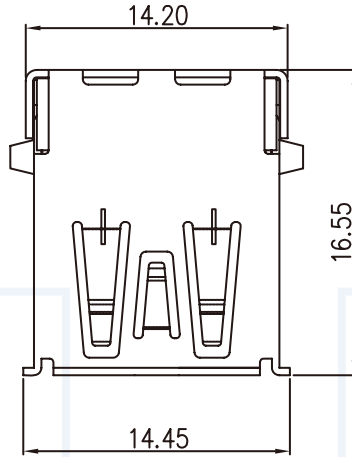
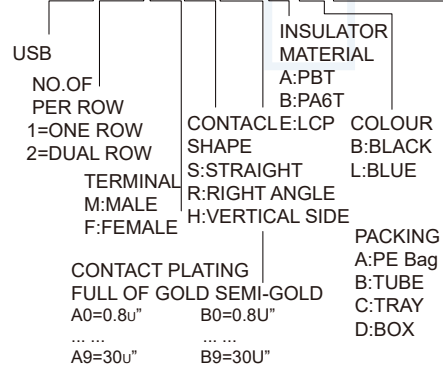
胶芯: PBT UL94V-0
Housing: PBT UL94V-0
端子: 铜合金
Contact: Copper Alloy
铁壳: Shell: SPCC

2-特性 (characteristics):

额定电流: 1.5 AMP.
Rating Current: 1.5 AMP.
接触阻抗: ≤30mΩ MAX.
Contact Resistance: ≤30mΩ MAX.
绝缘阻抗: ≥1000MΩMIN.
Insulating Resistance: ≥1000MΩMIN.
耐电压: 500V AC/MINUTE
Withstanding Voltage: 500V AC/MINUTE
温度范围: -55度至+85度
Temperature Range: -55°C to +85°C

ORDERING INFORMATION

U - 2 F R B0 A L D



YLIES 东莞市瑞翔精密连接器有限公司
DONG GUAN YLIES PRECISE CONNECTOR CO.,LTD

Tel:0769-85381995 / Fax:0769-85493987 / Email: ylies@ylies.cn / Web:www.ylies.cn

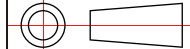
TITLE

505-USB 3.0母座90度

DATE

2018-02-18

PROJECTON



REV

A

UNIT

mm

SCALE

1:1

PAGE

1/1

PART NO:

U-2FRB0ALD

DRAWING NO: