

ANGLE	± 5°	REV	LOCAS	DESCRIPTION	DESIGN	DATE	卫国峰
X.XXX	± 0.05	01			DRAWN	DATE	尚伟
X.XX	± 0.15	02			CHECKED	DATE	吴汉学
X.X	± 0.25	03			AUDITED	DATE	龚劲松
X	± 0.50	04			APPROVED	DATE	eric

Specifications/备注 (Remark)

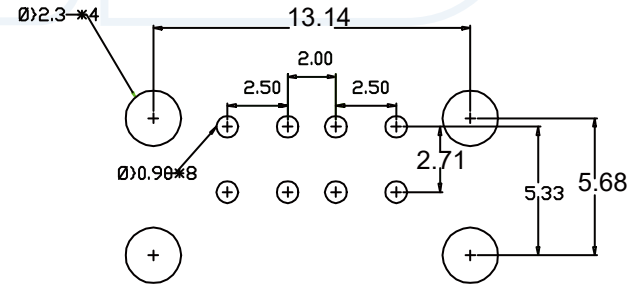
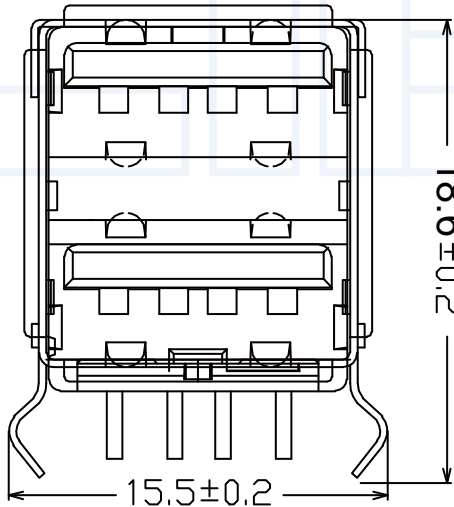
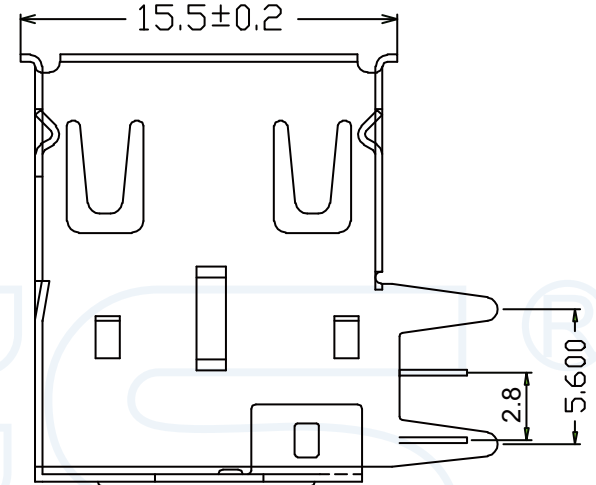
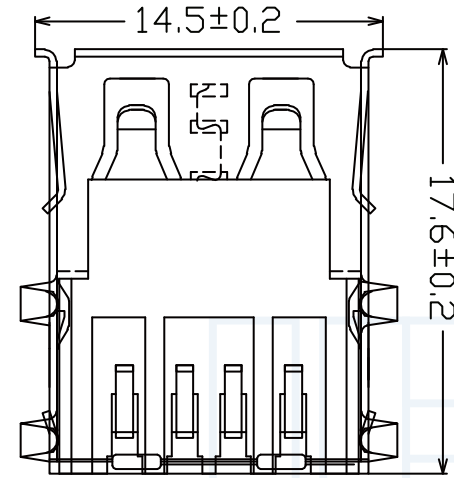
1-材料 (MATERIAL)
 胶芯: PBT UL94V-0
 Housing: PBT UL94V-0
 端子: 铜合金
 Contact: Copper Alloy
 铁壳: Shell: SPCC

2-特性 (characteristics):
 额定电流: 1.5 AMP.
 Raring Current: 1.5 AMP .
 接触阻抗: ≤30mΩ MAX.
 Contact Resistance: ≤30mΩ MAX.
 绝缘阻抗: ≥1000MΩMIN.
 Insulating Resistance: ≥1000MΩMIN.
 耐电压: 500V AC/MINUTE
 Withstanding Voltage: 500V AC/MINUTE
 温度范围: -55度至+85度
 Temperture Range: -55°Cto +85°C

ORDERING INFORMATION

U - 2 F R B 0 A X D

USB	INSULATOR MATERIAL	
NO.OF PER ROW	A:PBT	
1=ONE ROW	B:PA6T	
2=DUAL ROW	CONTACTLE:LCP	COLOUR
TERMINAL	SHAPE	B:BLACK
M:MALE	S:STRAIGHT	L:BLUE
F:FEMALE	R:RIGHT ANGLE	
	M:SMT	
	PACKING	
	A:PE Bag	
	B:TUBE	
	C:TRAY	
	D:BOX	
CONTACT PLATING		
FULL OF GOLD SEMI-GOLD		
A0=0.8u"	B0=0.8U"	
A9=30u"	B9=30U"	



YLIES 东莞市瑞翔精密连接器有限公司
 DONG GUAN YLIES PRECISE CONNECTOR CO.,LTD

Tel:0769-85381995 / Fax:0769-85493987 / Email: ylies@ylies.cn / Web:www.ylies.cn

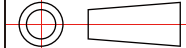
TITLE

502-USB 母座双层90度无弹

DATE

2018-02-18

PROJECTON



REV

A

UNIT

mm

SCALE

1:1

PAGE

1/1

PART NO:

U-2FRB0ABD

DRAWING NO:

1

2

3

4

5

6

7

8

9