

ANGLE	± 5°	REV	LOCAS	DESCRIPTION	DESIGN	DATE	卫国强
X.XXX	± 0.05	01			DRAWN	DATE	尚伟
X.XX	± 0.15	02			CHECKED	DATE	吴汉学
X.X	± 0.25	03			AUDITED	DATE	龚劲松
X	± 0.50	04			APPROVED	DATE	eric

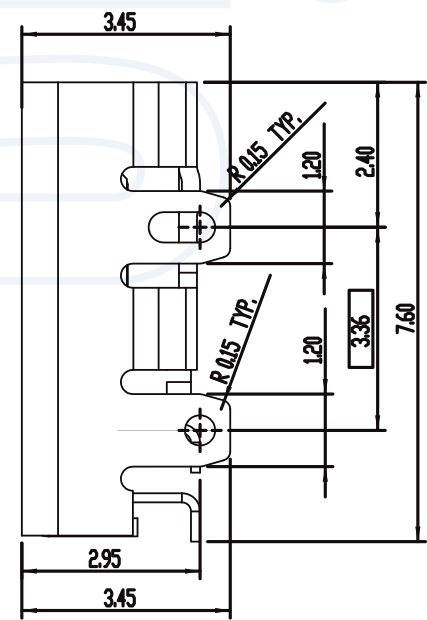
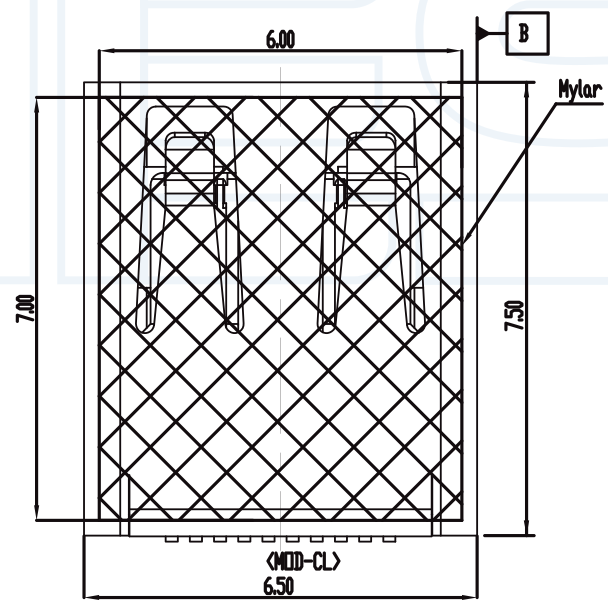
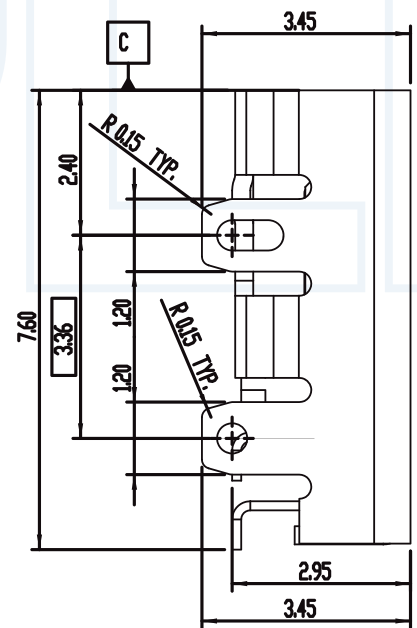
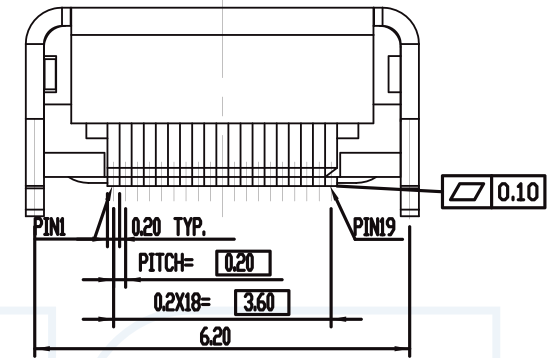
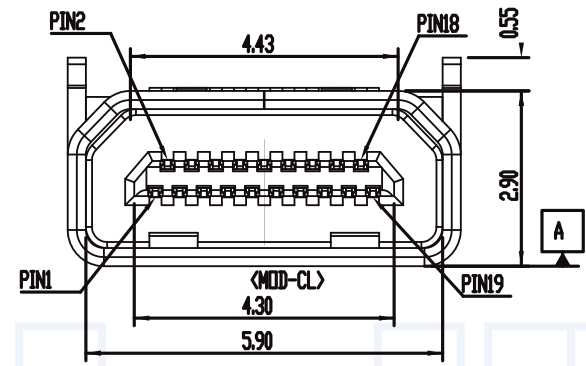
Specifications/备注 (Remark)

- 1-材料 (MATERIAL)
 胶芯: LCP UL94V-0
 Housing:LCP UL94V-0
 端子: 磷青铜
 Contact: Phosphor bronze
- 2-特性 (characteristics):
 额定电流: 0.5 AMP.
 Raring Current:0.5 AMP .
 接触阻抗: ≤30mΩ MAX.
 Contact Resistance:≤30mΩ MAX.
 绝缘阻抗: ≥100MΩMIN.
 Insulating Resistance:≥100MΩMIN.
 耐电压: 500V AC/MINUTE
 Withstanding Voltage:500V AC/MINUTE
 温度范围: -55度至+105度
 Temperture Range: -20°Cto +85°C

ORDERING INFORMATION

HD - 2 F M B0 A X A

HDMI	INSULATOR MATERIAL	COLOUR	PACKING
NO.OF PER ROW	A:PBT	B:BLACK	A:PE Bag
1=ONE ROW	B:PA6T	L:BLUE	B:TUBE
2=DUAL ROW	CONTACTLE:LCP		C:TRAY
TERMINAL	SHAPE		D:BOX
M:MALE	S:STRAIGHT		
F:FEMALE	R:RIGHT ANGLE		
	M:SMT		
CONTACT PLATING			
FULL OF GOLD SEMI-GOLD			
A0=0.8u"	B0=0.8u"		
.....		
A9=30u"	B9=30u"		



YLIES 东莞市瑞翔精密连接器有限公司
 DONG GUAN YLIES PRECISE CONNECTOR CO.,LTD

Tel:0769-85381995 / Fax:0769-85493987 / Email: ylies@ylies.cn / Web:www.ylies.cn

TITLE 498-HDMI 母座 双排贴片 D-TYPE DATE 2018-02-18

PROJECTON REV A UNIT mm SCALE 1:1 PAGE 1/1

PART NO: HD-2FMB0EBD DRAWING NO: