

1 2 3 4 5 6 7 8 9

ANGLE	± 5°	REV	LOCAS	DESCRIPTION	DESIGN	DATE	卫国峰
X.XXX	± 0.05	01			DRAWN	DATE	尚伟
X.XX	± 0.15	02			CHECKED	DATE	吴汉学
X.X	± 0.25	03			AUDITED	DATE	龚劲松
X	± 0.50	04			APPROVED	DATE	eric

### Specifications/备注 (Remark)

#### 1-材料 (MATERIAL)

胶芯: LCP UL94V-0  
Housing:LCP UL94V-0  
端子: 磷青铜

Contact: Phosphor bronze

#### 2-特性 (characteristics):

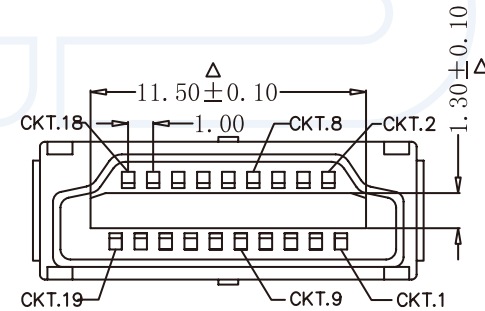
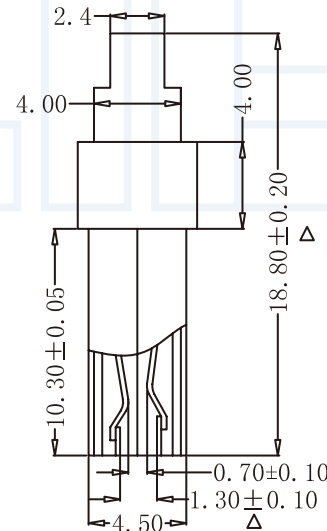
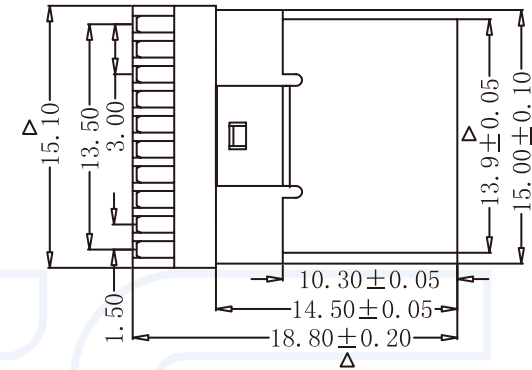
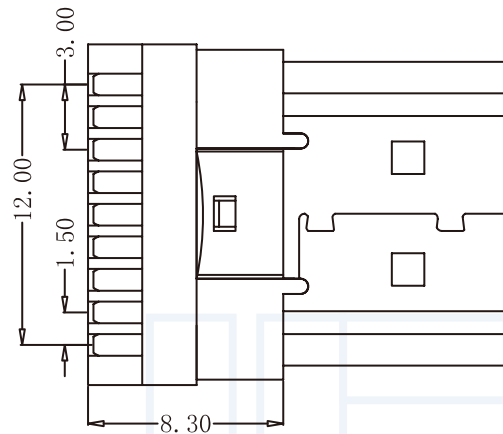
额定电流: 0.5 AMP.  
Raring Current:0.5 AMP .  
接触阻抗: ≤30mΩ MAX.  
Contact Resistance:≤30mΩ MAX.  
绝缘阻抗: ≥100MΩMIN.

Insulating Resistance:≥100MΩMIN.  
耐电压: 500V AC/MINUTE  
Withstanding Voltage:500V AC/MINUTE  
温度范围: -55度至+105度  
Temperture Range: -20°Cto +85°C

### ORDERING INFORMATION

#### HD - 2 M D B0 A X A

HDMI	INSULATOR MATERIAL	CONTACT PLATING
NO.OF PER ROW	A:PBT	FULL OF GOLD SEMI-GOLD
2=DUAL ROW	B:PA6T	A0=0.8u" B0=0.8U"
3=THREE ROW	CONTACTLE:LCP	... ..
TERMINAL	SHAPE	A9=30u" B9=30U"
M:MALE	S:STRAIGHT	
F:FEMALE	R:RIGHT ANGLE	
	D:WELDING LINE	
	COLOUR	PACKING
	B:BLACK	A:PE Bag
	L:BLUE	B:TUBE
		C:TRAY



**YLIES** 东莞市瑞翔精密连接器有限公司  
DONG GUAN YLIES PRECISE CONNECTOR CO.,LTD

Tel:0769-85381995 / Fax:0769-85493987 / Email: ylies@ylies.cn / Web:www.ylies.cn

PROJECTON	REV	UNIT	SCALE	PAGE
	A	mm	1:1	1/1

TITLE

491-HDMI 公座焊线式

DATE

2018-02-18

PART NO:

HD-2MDB0EBA

DRAWING NO:

1 2 3 4 5 6 7 8 9