

ANGLE	± 5°	REV	LOCAS	DESCRIPTION	DESIGN	DATE	卫国峰
X.XXX	± 0.05	01			DRAWN	DATE	尚伟
X.XX	± 0.15	02			CHECKED	DATE	吴汉学
X.X	± 0.25	03			AUDITED	DATE	龚劲松
X	± 0.50	04			APPROVED	DATE	eric

Specifications/备注 (Remark)

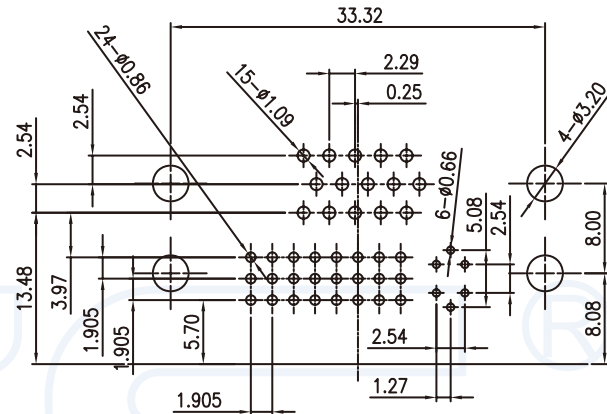
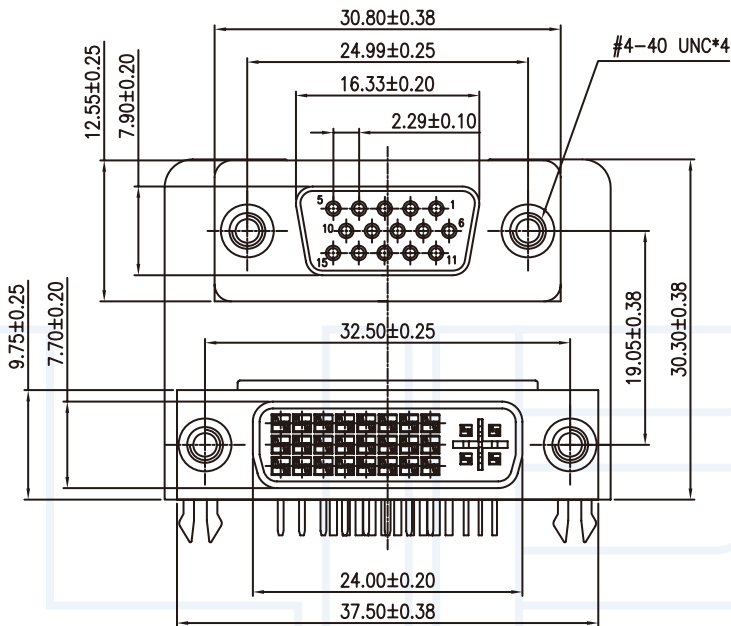
1-材料 (MATERIAL)
 胶芯: PBT UL94V-0
 Housing: PBT UL94V-0
 端子: 磷青铜
 Contact: Phosphor bronze

2-特性 (characteristics):
 额定电流: 5 AMP.
 Raring Current: 5 AMP.
 接触阻抗: ≤30mΩ MAX.
 Contact Resistance: ≤30mΩ MAX.
 绝缘阻抗: ≥1000MΩMIN.
 Insulating Resistance: ≥1000MΩMIN.
 耐电压: 1000V AC/MINUTE
 Withstanding Voltage: 1000V AC/MINUTE
 温度范围: -55度至+105度
 Temperature Range: -55°Cto +105°C

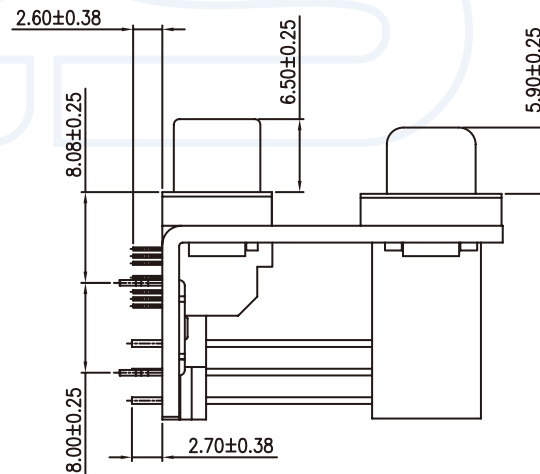
ORDERING INFORMATION

DS- 3 F R B0 A X A

D-SUB	NO.OF PER ROW	2=DUAL ROW	3=THREE ROW	TERMINAL	M:MALE	F:FEMALE	CONTACT PLATING	FULL OF GOLD SEMI-GOLD	A0=0.8u"	B0=0.8u"	A9=30u"	B9=30U"	INSULATOR MATERIAL	A:PBT	B:PA6T	CONTACTCL:PA9T	COLOUR	B:BLACK	L:BLUE	SHAPE	S:STRAIGHT	R:RIGHT ANGLE	D:WELDING LINE	PACKING	A:PE Bag	B:TUBE	C:TRAY
-------	---------------	------------	-------------	----------	--------	----------	-----------------	------------------------	----------	----------	-------	---------	---------	--------------------	-------	--------	----------------	--------	---------	--------	-------	------------	---------------	----------------	---------	----------	--------	--------



PCB LAYOUT



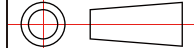
YLIES 东莞市瑞翔精密连接器有限公司
 DONG GUAN YLIES PRECISE CONNECTOR CO.,LTD

Tel:0769-85381995 / Fax:0769-85493987 / Email: ylies@ylies.cn / Web:www.ylies.cn

TITLE 484-D-SUB+DVI 母头插座 三排90度铆合 (19.05)

DATE 2018-02-18

PROJECTON



REV A

UNIT mm

SCALE 1:1

PAGE 1/1

PART NO: DS-3FRB0AXA

DRAWING NO:

1

2

3

4

5

6

7

8

9