

ANGLE	± 5°	REV	LOCAS	DESCRIPTION	DESIGN	DATE	卫国峰
X.XXX	± 0.05	01			DRAWN	DATE	尚伟
X.XX	± 0.15	02			CHECKED	DATE	吴汉学
X.X	± 0.25	03			AUDITED	DATE	龚劲松
X	± 0.50	04			APPROVED	DATE	eric

### Specifications/备注 (Remark)

#### 1-材料 (MATERIAL)

胶芯: PBT UL94V-0  
Housing: PBT UL94V-0  
端子: 磷青铜  
Contact: Phosphor bronze

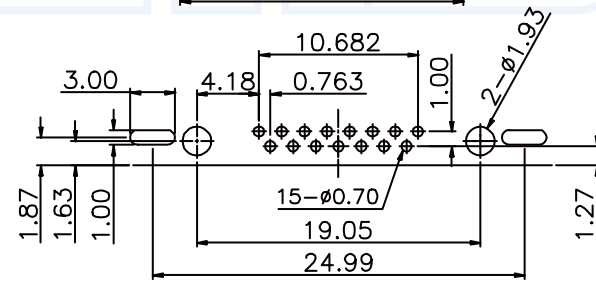
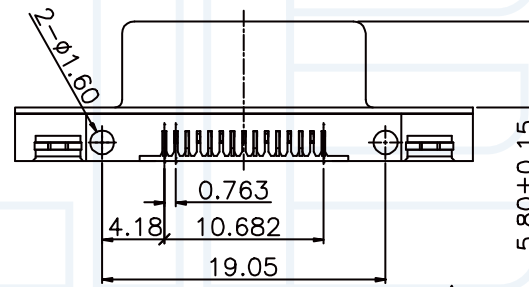
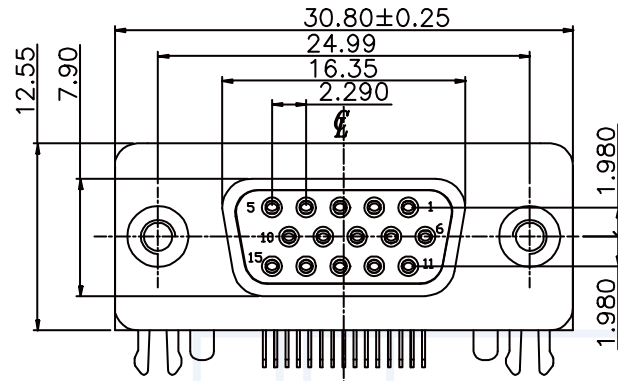
#### 2-特性 (characteristics):

额定电流: 5 AMP.  
Raring Current: 5 AMP .  
接触阻抗: ≤30mΩ MAX.  
Contact Resistance: ≤30mΩ MAX.  
绝缘阻抗: ≥1000MΩMIN.  
Insulating Resistance: ≥1000MΩMIN.  
耐电压: 1000V AC/MINUTE  
Withstanding Voltage: 1000V AC/MINUTE  
温度范围: -55度至+105度  
Temperure Range: -55°Cto +105°C

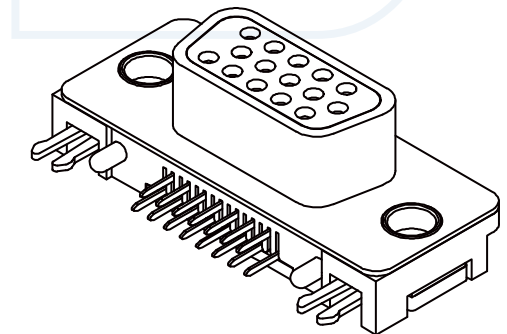
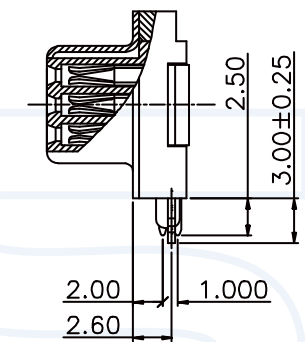
### ORDERING INFORMATION

#### DS - 3 F R B0 A X A

D-SUB	INSULATOR MATERIAL	
NO.OF PER ROW	A:PBT	
2=DUAL ROW	B:PA6T	
3=THREE ROW	CONTACTCL:PA9T COLOUR	
TERMINAL	SHAPE	B:BLACK
M:MALE	S:STRAIGHT	L:BLUE
F:FEMALE	R:RIGHT ANGLE	D:WELDING LINE
CONTACT PLATING	PACKING	
FULL OF GOLD SEMI-GOLD	A:PE Bag	
A0=0.8u"	B:TUBE	
.....	C:TRAY	
A9=30u"		
B9=30U"		



RECOMMENDED PCB LAYOUT



**YLIES** 东莞市瑞翔精密连接器有限公司  
DONG GUAN YLIES PRECISE CONNECTOR CO.,LTD

Tel:0769-85381995 / Fax:0769-85493987 / Email: ylies@ylies.cn / Web:www.ylies.cn

TITLE 481-D-SUB 母头插座 三排超薄 前七后八

DATE 2018-02-18

PROJECTON REV A UNIT mm SCALE 1:1 PAGE 1/1

PART NO: DS-3FRB0AXA

DRAWING NO: