

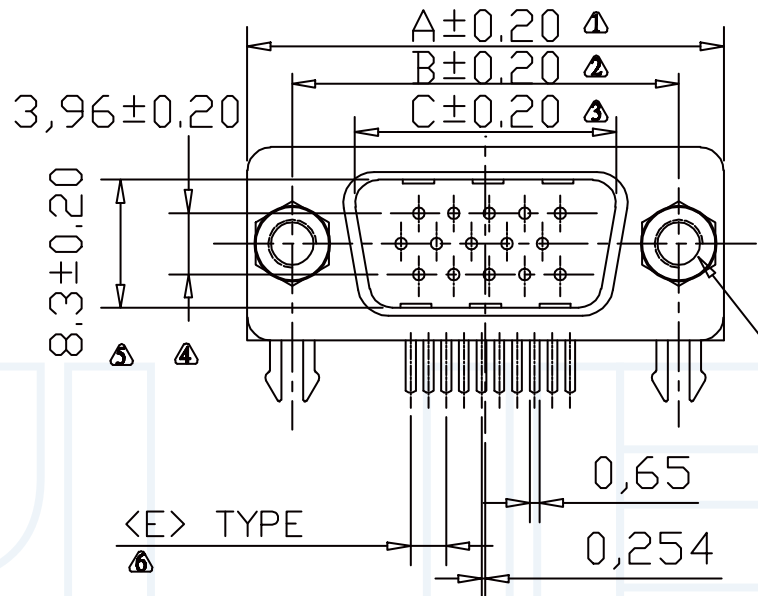
ANGLE	± 5°	REV	LOCAS	DESCRIPTION	DESIGN	DATE	卫国峰
X.XXX	± 0.05	01			DRAWN	DATE	尚伟
X.XX	± 0.15	02			CHECKED	DATE	吴汉学
X.X	± 0.25	03			AUDITED	DATE	龚劲松
X	± 0.50	04			APPROVED	DATE	eric

Specifications/备注 (Remark)

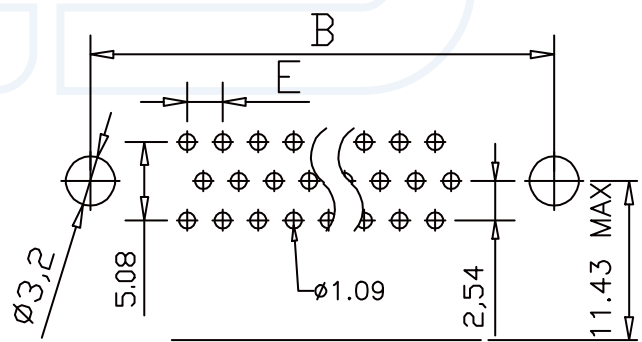
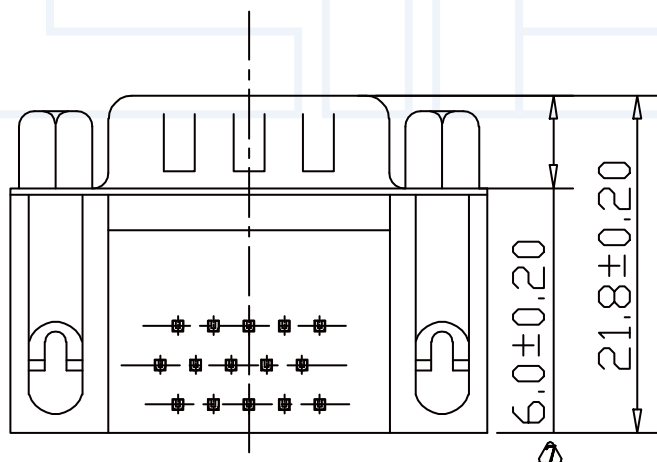
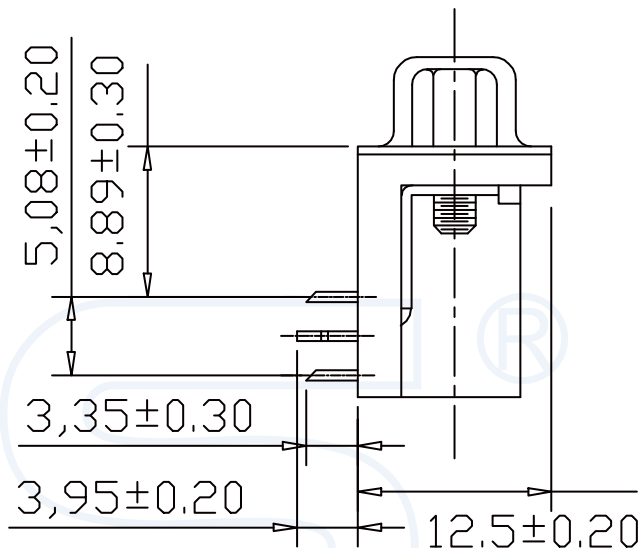
- 1-材料 (MATERIAL)
 胶芯: PBT UL94V-0
 Housing:PBT UL94V-0
 端子: 磷青铜
 Contact: Phosphor bronze
- 2-特性 (characteristics):
 额定电流: 5 AMP.
 Raring Current:5 AMP .
 接触阻抗: ≤30mΩ MAX.
 Contact Resistance:≤30mΩ MAX.
 绝缘阻抗: ≥1000MΩMIN.
 Insulating Resistance:≥1000MΩMIN.
 耐电压: 1000V AC/MINUTE
 Withstanding Voltage:1000V AC/MINUTE
 温度范围: -55度至+105度
 Temperature Range: -55°Cto +105°C

ORDERING INFORMATION
DS - 3 M R B0 A X A

D-SUB	INSULATOR MATERIAL
NO.OF PER ROW	A:PBT B:PA6T
2=DUAL ROW	CONTACTCL:PA9T COLOUR
3=THREE ROW	SHAPE B:BLACK
TERMINAL	S:STRAIGHT L:BLUE
M:MALE	R:RIGHT ANGLE
F:FEMALE	D:WELDING LINE
CONTACT PLATING	PACKING
FULL OF GOLD SEMI-GOLD	A:PE Bag
A0=0.8u" B0=0.8U"	B:TUBE
..... C:TRAY	
A9=30u" B9=30U"	



4#-40UNC



EDGE OF P.C.BOARD
 RECOMMENDED P.C.B LAYOUT(TOP VIEW)
 TOLERANCES: ±0.05mm