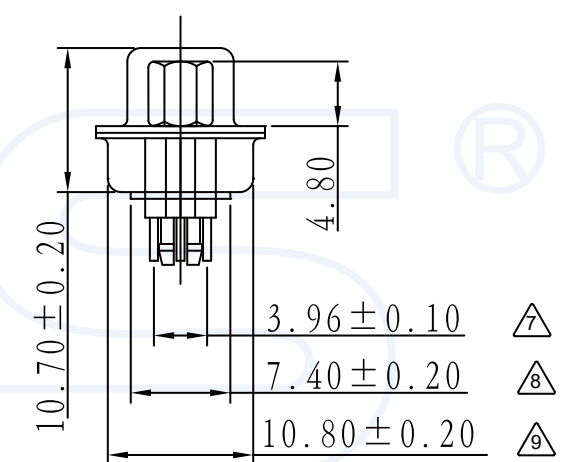
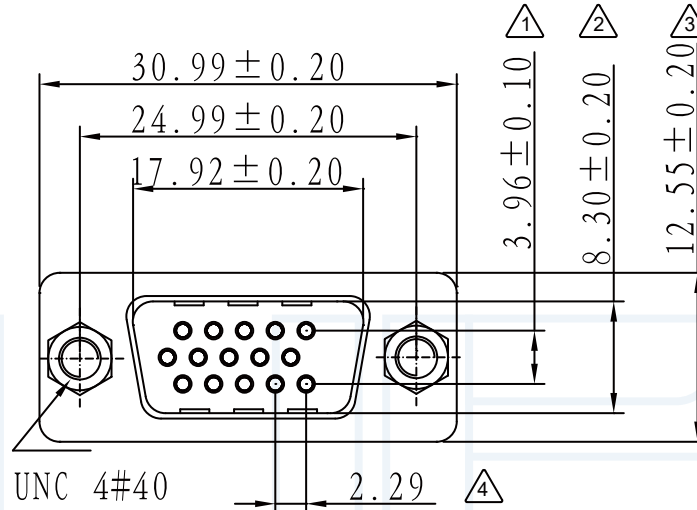


ANGLE	± 5°	REV	LOCAS	DESCRIPTION	DESIGN	DATE	卫国峰
X.XXX	± 0.05	01			DRAWN	DATE	尚伟
X.XX	± 0.15	02			CHECKED	DATE	吴汉学
X.X	± 0.25	03			AUDITED	DATE	龚劲松
X	± 0.50	04			APPROVED	DATE	eric

### Specifications/备注 (Remark)

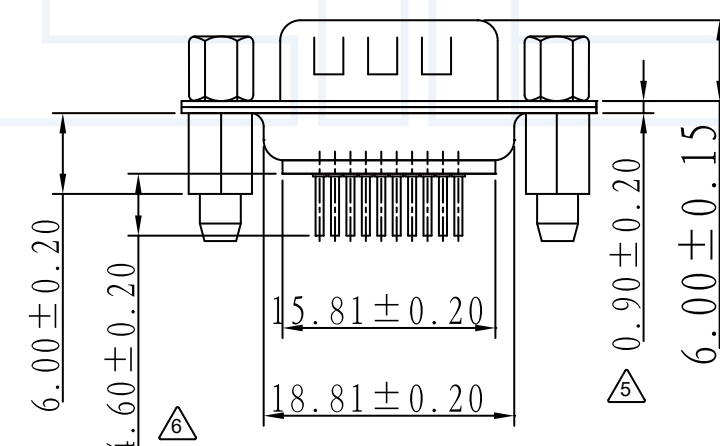
- 1-材料 (MATERIAL)  
 胶芯: PBT UL94V-0  
 Housing: PBT UL94V-0  
 端子: 磷青铜  
 Contact: Phosphor bronze
- 2-特性 (characteristics):  
 额定电流: 3 AMP.  
 Raring Current: 3 AMP.  
 接触阻抗: ≤30mΩ MAX.  
 Contact Resistance: ≤30mΩ MAX.  
 绝缘阻抗: ≥1000MΩMIN.  
 Insulating Resistance: ≥1000MΩMIN.  
 耐电压: 1000V AC/MINUTE  
 Withstanding Voltage: 1000V AC/MINUTE  
 温度范围: -55度至+105度  
 Temperature Range: -55°C to +105°C



### ORDERING INFORMATION

#### DS - 3 F S B0 A X A

D-SUB	NO.OF PER ROW	2=DUAL ROW 3=THREE ROW	TERMINAL	M:MALE D:FEMALE	CONTACT PLATING	FULL OF GOLD SEMI-GOLD A0=0.8u" B0=0.8u" A9=30u" B9=30u"
INSULATOR MATERIAL	A:PBT B:PA6T	CONTACTCLC:PA9T	SHAPE	S:STRAIGHT R:RIGHT ANGLE D:WELDING LINE	COLOUR	B:BLACK L:BLUE
PACKING	A:PE Bag B:TUBE C:TRAY					



POS.	A	B	C	D	E
15	30.99	24.99	17.92	18.81	15.81
26	39.20	33.32	26.38	27.70	24.90
44	53.05	47.04	39.94	41.10	38.20
62	70.50	62.5	56.43	54.80	54.30

**YLIES** 东莞市瑞翔精密连接器有限公司  
 DONG GUAN YLIES PRECISE CONNECTOR CO.,LTD

Tel:0769-85381995 / Fax:0769-85493987 / Email: ylies@ylies.cn / Web:www.ylies.cn

TITLE 476-D-SUB 母头插座 三排180度插板式 DATE 2018-02-18

PROJECTON REV A UNIT mm SCALE 1:1 PAGE 1/1 PART NO: DS-3FSB0AXA DRAWING NO: