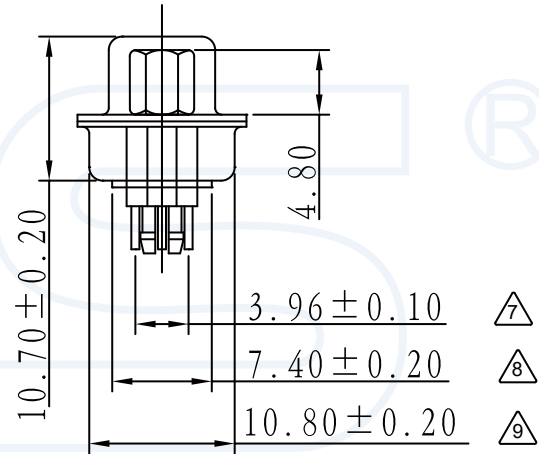
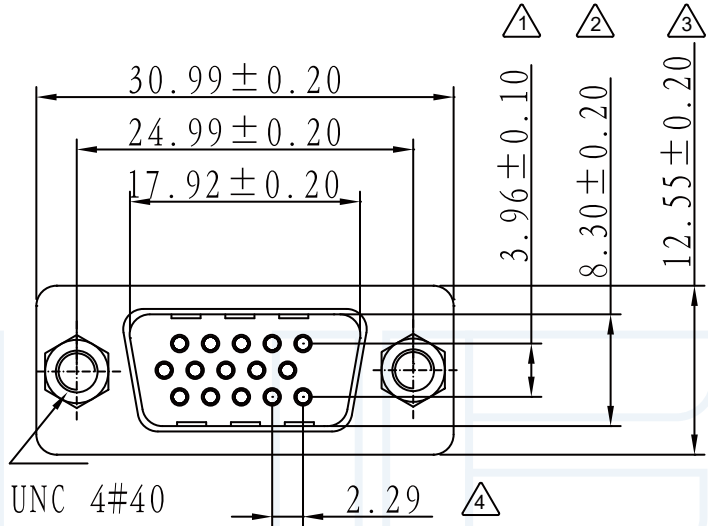


| | | | | | | | |
|-------|--------|-----|-------|-------------|----------|------|------|
| ANGLE | ± 5° | REV | LOCAS | DESCRIPTION | DESIGN | DATE | 卫国峰 |
| X.XXX | ± 0.05 | 01 | | | DRAWN | DATE | 尚伟 |
| X.XX | ± 0.15 | 02 | | | CHECKED | DATE | 吴汉学 |
| X.X | ± 0.25 | 03 | | | AUDITED | DATE | 龚劲松 |
| X | ± 0.50 | 04 | | | APPROVED | DATE | eric |

Specifications/备注 (Remark)

1-材料 (MATERIAL)
 胶芯: PBT UL94V-0
 Housing:PBT UL94V-0
 端子: 磷青铜
 Contact: Phosphor bronze

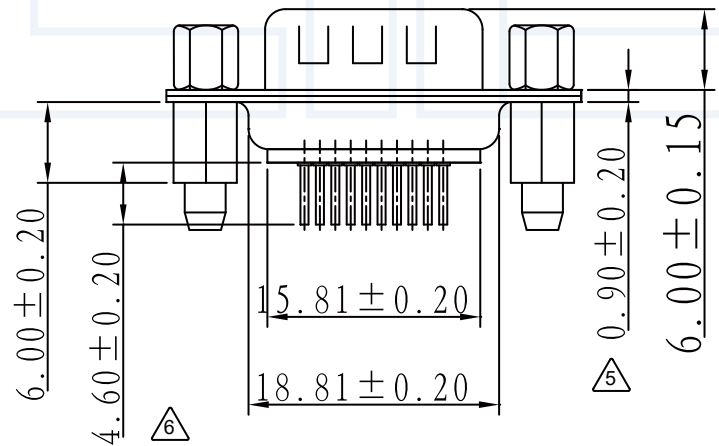
2-特性 (characteristics):
 额定电流: 3 AMP.
 Raring Current:3 AMP .
 接触阻抗: ≤30mΩ MAX.
 Contact Resistance:≤30mΩ MAX.
 绝缘阻抗: ≥1000MΩMIN.
 Insulating Resistance:≥1000MΩMIN.
 耐电压: 1000V AC/MINUTE
 Withstanding Voltage:1000V AC/MINUTE
 温度范围: -55度至+105度
 Temperture Range: -55°Cto +105°C



ORDERING INFORMATION

DS - 3 M S B0 A X A

| | |
|------------------------|-----------------------|
| D-SUB | INSULATOR MATERIAL |
| NO.OF PER ROW | A:PBT |
| 2=DUAL ROW | B:PA6T |
| 3=THREE ROW | CONTACTCL:PA9T COLOUR |
| TERMINAL | SHAPE B:BLACK |
| M:MALE | S:STRAIGHT L:BLUE |
| F:FEMALE | R:RIGHT ANGLE |
| | D:WELDING LINE |
| CONTACT PLATING | PACKING |
| FULL OF GOLD SEMI-GOLD | A:PE Bag |
| A0=0.8u" B0=0.8u" | B:TUBE |
| | C:TRAY |
| A9=30u" B9=30u" | |



| POS. | A | B | C | D | E |
|------|-------|-------|-------|-------|-------|
| 15 | 30.99 | 24.99 | 17.92 | 18.81 | 15.81 |
| 26 | 39.20 | 33.32 | 26.38 | 27.70 | 24.90 |
| 44 | 53.05 | 47.04 | 39.94 | 41.10 | 38.20 |
| 62 | 70.50 | 62.5 | 56.43 | 54.80 | 54.30 |

YLIES 东莞市瑞翔精密连接器有限公司
 DONG GUAN YLIES PRECISE CONNECTOR CO.,LTD

TITLE 475-D-SUB 公头插座 三排180度插板式 DATE 2018-02-18

Tel:0769-85381995 / Fax:0769-85493987 / Email: ylies@ylies.cn / Web:www.ylies.cn

PROJECTON REV A UNIT mm SCALE 1:1 PAGE 1/1

PART NO: DS-3MSB0AXA DRAWING NO: