

ANGLE	± 5°	REV	LOCAS	DESCRIPTION	DESIGN	DATE	卫国峰
X.XXX	± 0.05	01			DRAWN	DATE	尚伟
X.XX	± 0.15	02			CHECKED	DATE	吴汉学
X.X	± 0.25	03			AUDITED	DATE	龚劲松
X	± 0.50	04			APPROVED	DATE	eric

**Specifications/备注 (Remark)**

1-材料 (MATERIAL)  
 胶芯: PBT UL94V-0  
 Housing: PBT UL94V-0  
 端子: 磷青铜  
 Contact: Phosphor bronze

2-特性 (characteristics):  
 额定电流: 3 AMP.  
 Raring Current: 3 AMP.  
 接触阻抗: ≤30mΩ MAX.  
 Contact Resistance: ≤30mΩ MAX.  
 绝缘阻抗: ≥1000MΩMIN.  
 Insulating Resistance: ≥1000MΩMIN.  
 耐电压: 1000V AC/MINUTE  
 Withstanding Voltage: 1000V AC/MINUTE  
 温度范围: -55度至+105度  
 Temperture Range: -55°Cto +105°C

**ORDERING INFORMATION**

**DS - 2 F S B0 A X A**

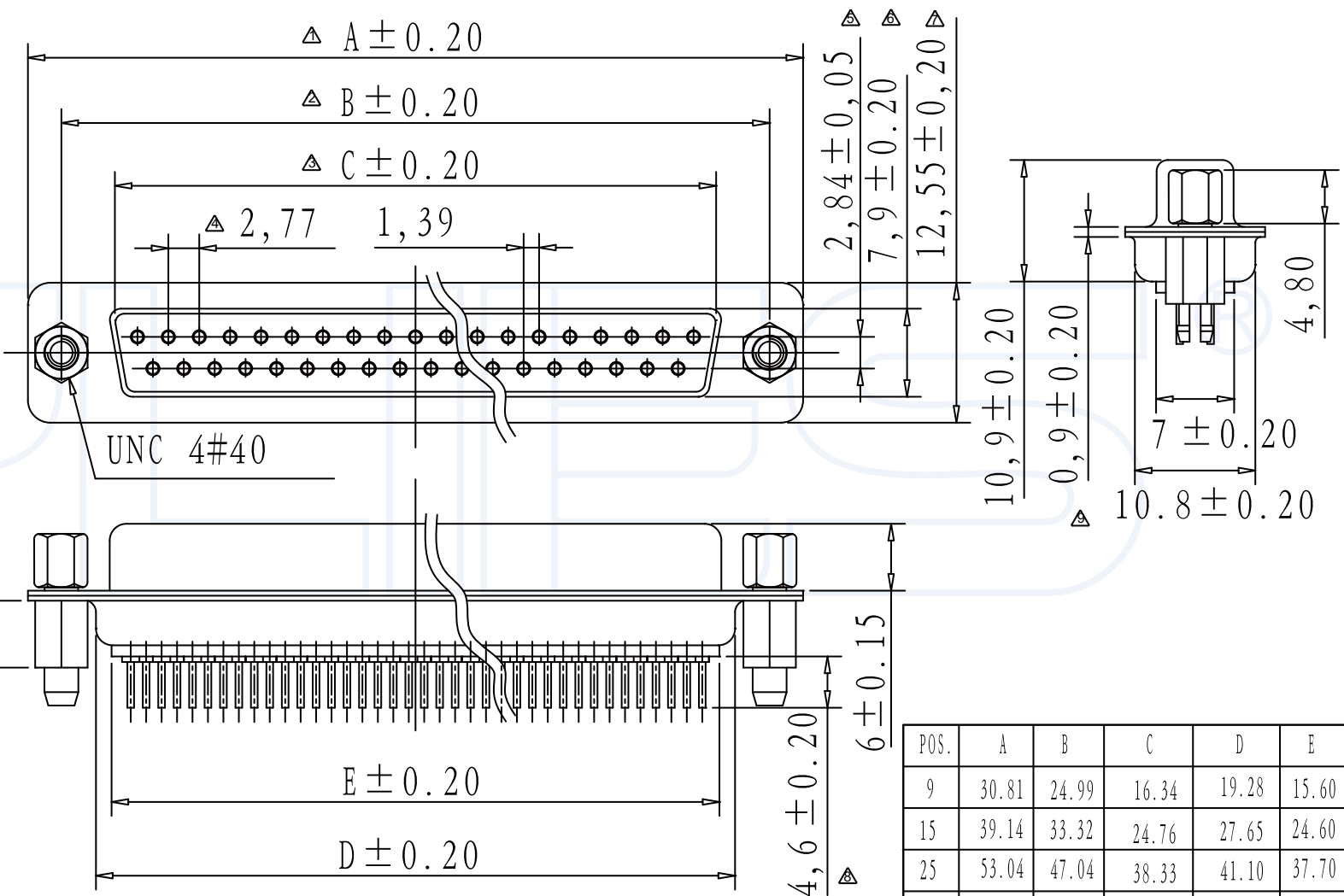
D-SUB  
 NO.OF PER ROW  
 2=DUAL ROW  
 3=THREE ROW  
 TERMINAL  
 M:MALE  
 F:FEMALE

INSULATOR MATERIAL  
 A:PBT  
 B:PA6T  
 CONTACT: PA9T  
 COLOUR  
 B:BLACK  
 L:BLUE

SHAPE  
 S:STRAIGHT  
 R:RIGHT ANGLE  
 D:WELDING LINE

PACKING  
 A:PE Bag  
 B:TUBE  
 C:TRAY

CONTACT PLATING  
 FULL OF GOLD SEMI-GOLD  
 A0=0.8u"  
 B0=0.8u"  
 A9=30u"  
 B9=30u"



**YLIES** 东莞市瑞翔精密连接器有限公司  
 DONG GUAN YLIES PRECISE CONNECTOR CO.,LTD

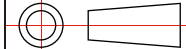
TITLE

474-D-SUB 母头插座 双排180度插板式

DATE

2018-02-18

PROJECTON



REV

A

UNIT

SCALE

PAGE

PART NO:

DS-2FSB0AXA

DRAWING NO:

1

2

3

4

5

6

7

8

9