

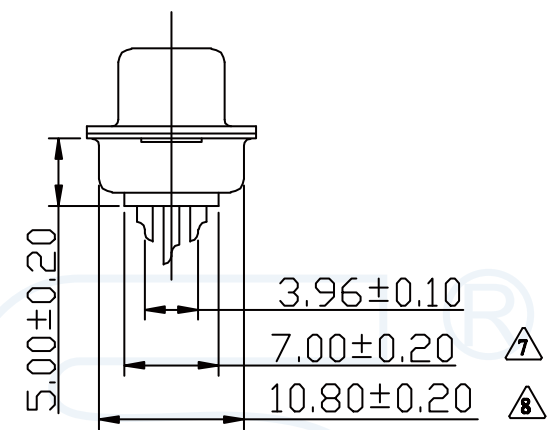
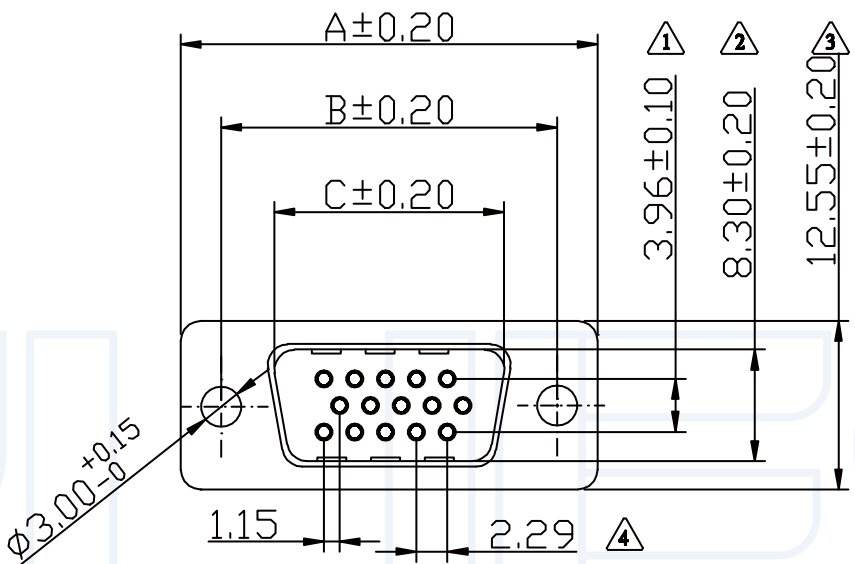
1 2 3 4 5 6 7 8 9

ANGLE	± 5°	REV	LOCAS	DESCRIPTION	DESIGN	DATE	卫国峰
X.XXX	± 0.05	01			DRAWN	DATE	尚伟
X.XX	± 0.15	02			CHECKED	DATE	吴汉学
X.X	± 0.25	03			AUDITED	DATE	龚劲松
X	± 0.50	04			APPROVED	DATE	eric

Specifications/备注 (Remark)

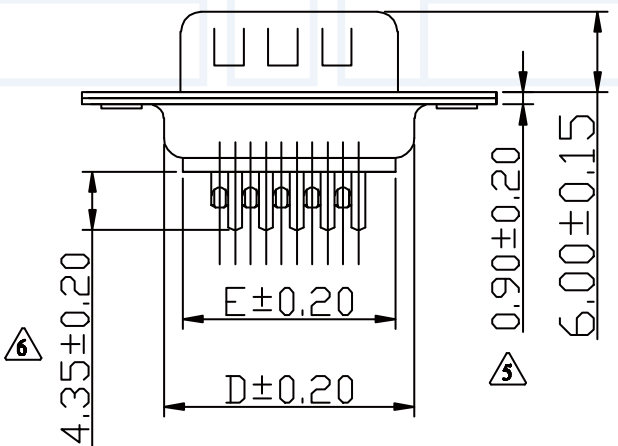
1-材料 (MATERIAL)
 胶芯: PBT UL94V-0
 Housing: PBT UL94V-0
 端子: 磷青铜
 Contact: Phosphor bronze

2-特性 (characteristics):
 额定电流: 3 AMP.
 Raring Current: 3 AMP.
 接触阻抗: ≤30mΩ MAX.
 Contact Resistance: ≤30mΩ MAX.
 绝缘阻抗: ≥1000MΩMIN.
 Insulating Resistance: ≥1000MΩMIN.
 耐电压: 1000V AC/MINUTE
 Withstanding Voltage: 1000V AC/MINUTE
 温度范围: -55度至+105度
 Temperture Range: -55°Cto +105°C



ORDERING INFORMATION
DS- 3 M D B0 A X A

D-SUB	INSULATOR MATERIAL
NO.OF PER ROW	A:PBT
2=DUAL ROW	B:PA6T
3=THREE ROW	CONTACT C:PA9T
TERMINAL	SHAPE
M:MALE	S:STRAIGHT
F:FEMALE	R:RIGHT ANGLE
	D:WELDING LINE
CONTACT PLATING	PACKING
FULL OF GOLD SEMI-GOLD	A:PE Bag
A0=0.8u"	B:TUBE
B0=0.8U"	C:TRAY
A9=30u"	B9=30U"



POS.	A	B	C	D	E
15	30.99	24.99	17.92	18.81	15.81
26	39.20	33.32	26.38	27.70	24.90
44	53.05	47.04	39.94	41.10	38.20
62	69.40	63.50	56.43	57.40	54.30

YLIES 东莞市瑞翔精密连接器有限公司
 DONG GUAN YLIES PRECISE CONNECTOR CO.,LTD

TITLE: 471-D-SUB 公头插座 三排焊线式
 DATE: 2018-02-18

Tel:0769-85381995 / Fax:0769-85493987 / Email: ylies@ylies.cn / Web:www.ylies.cn

PROJECTON	REV	UNIT	SCALE	PAGE	PART NO:	DRAWING NO:
	A	mm	1:1	1/1	DS-3MDB0AXA	

1 2 3 4 5 6 7 8 9