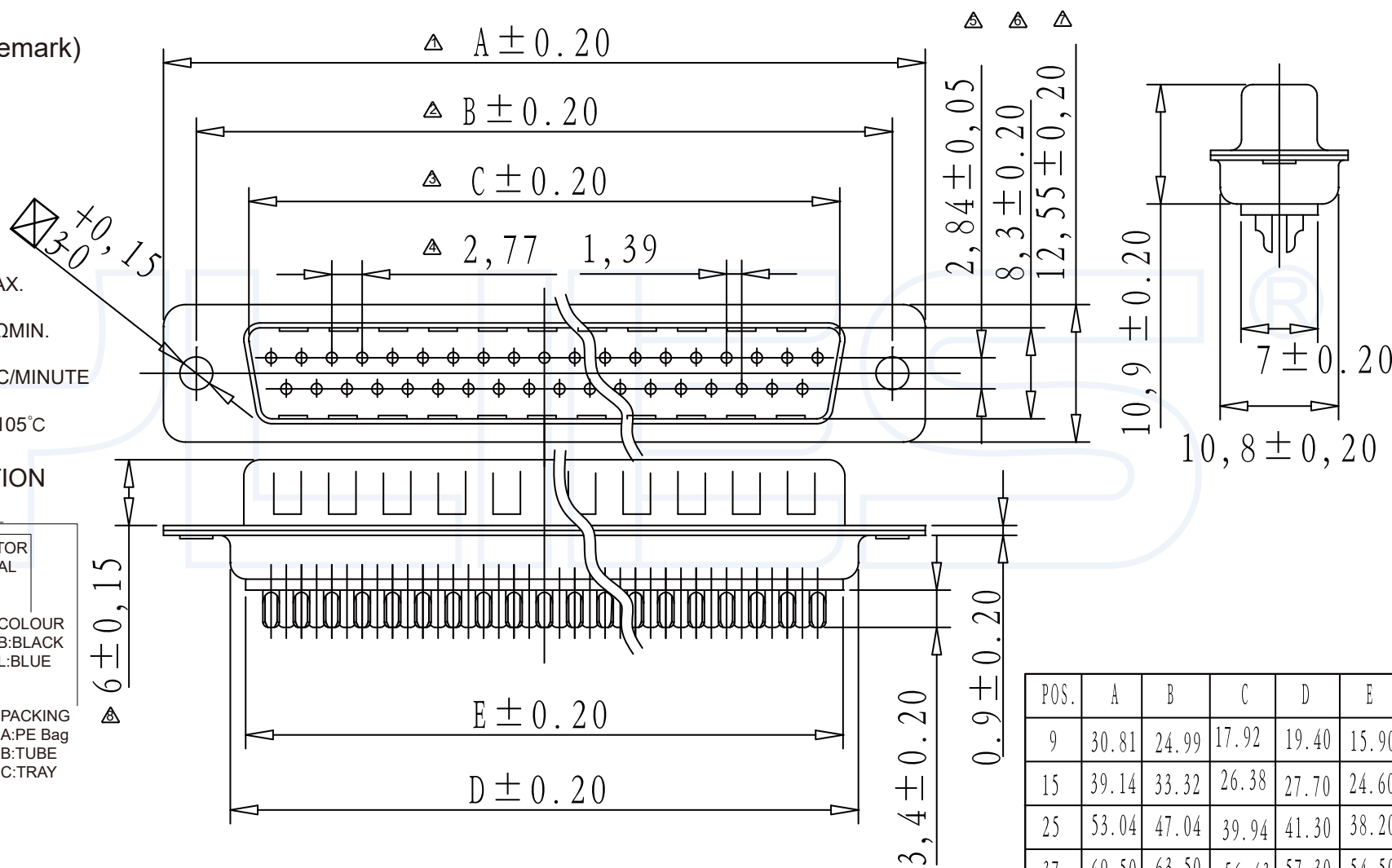


ANGLE	± 5°	REV	LOCAS	DESCRIPTION	DESIGN	DATE	卫国峰
X.XXX	± 0.05	01			DRAWN	DATE	尚伟
X.XX	± 0.15	02			CHECKED	DATE	吴汉学
X.X	± 0.25	03			AUDITED	DATE	龚劲松
X	± 0.50	04			APPROVED	DATE	eric

**Specifications/备注 (Remark)**

1-材料 (MATERIAL)  
 胶芯: PBT UL94V-0  
 Housing: PBT UL94V-0  
 端子: 磷青铜  
 Contact: Phosphor bronze

2-特性 (characteristics):  
 额定电流: 3 AMP.  
 Raring Current: 3 AMP.  
 接触阻抗: ≤30mΩ MAX.  
 Contact Resistance: ≤30mΩ MAX.  
 绝缘阻抗: ≥1000MΩMIN.  
 Insulating Resistance: ≥1000MΩMIN.  
 耐电压: 1000V AC/MINUTE  
 Withstanding Voltage: 1000V AC/MINUTE  
 温度范围: -55度至+105度  
 Temperature Range: -55°C to +105°C



**ORDERING INFORMATION**  
**DS - 2 M D B0 A X A**

D-SUB	INSULATOR MATERIAL	PACKING
NO.OF PER ROW	A:PBT B:PA6T	A:PE Bag B:TUBE C:TRAY
2=DUAL ROW	CONTACTC:PA9T COLOUR	
3=THREE ROW	SHAPE	
TERMINAL	S:STRAIGHT L:BLUE	
M:MALE	R:RIGHT ANGLE	
F:FEMALE	D:WELDING LINE	
CONTACT PLATING		
FULL OF GOLD SEMI-GOLD		
A0=0.8u" B0=0.8U"		
A9=30u" B9=30U"		

POS.	A	B	C	D	E
9	30.81	24.99	17.92	19.40	15.90
15	39.14	33.32	26.38	27.70	24.60
25	53.04	47.04	39.94	41.30	38.20
37	69.50	63.50	56.43	57.30	54.50

**YLIES** 东莞市瑞翔精密连接器有限公司  
 DONG GUAN YLIES PRECISE CONNECTOR CO.,LTD

TITLE

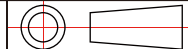
469-D-SUB 公头插座 双排焊线式

DATE

2018-02-18

Tel:0769-85381995 / Fax:0769-85493987 / Email: ylies@ylies.cn / Web:www.ylies.cn

PROJECTON



REV

A

UNIT

mm

SCALE

1:1

PAGE

1/1

PART NO:

DS-2MDB0AXA

DRAWING NO: