

Specifications/备注 (Remark)

1-材料 (MATERIAL)

胶芯: PBT UL94V-0
Housing: PBT UL94V-0
端子: 磷青铜
Contact: Phosphor bronze

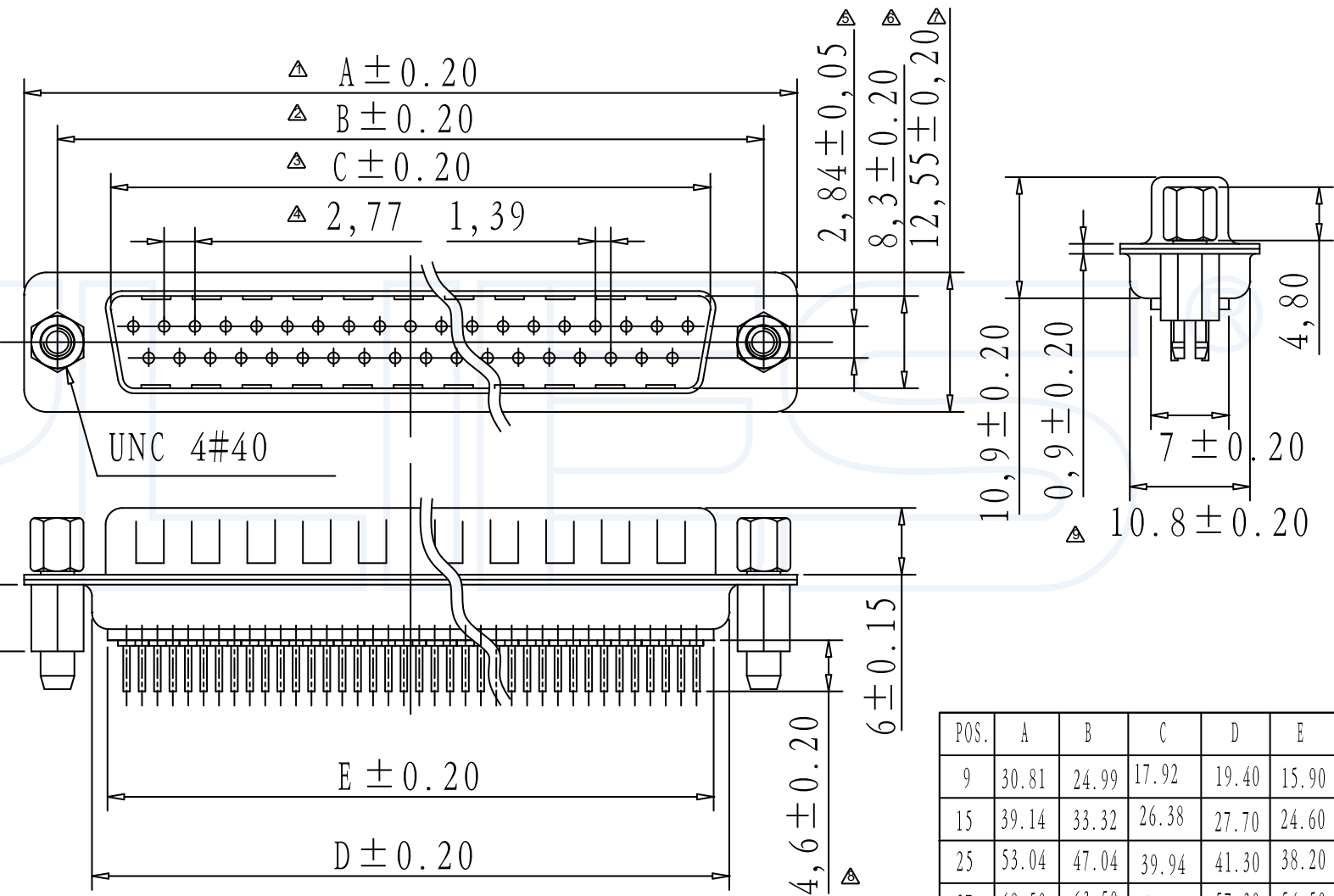
2-特性 (characteristics):

额定电流: 3 AMP.
Raring Current: 3 AMP.
接触阻抗: $\leq 30\text{m}\Omega$ MAX.
Contact Resistance: $\leq 30\text{m}\Omega$ MAX.
绝缘阻抗: $\geq 1000\text{M}\Omega$ MIN.
Insulating Resistance: $\geq 1000\text{M}\Omega$ MIN.
耐电压: 1000V AC/MINUTE
Withstanding Voltage: 1000V AC/MINUTE
温度范围: -55 度至 $+105$ 度
Temperature Range: -55°C to $+105^{\circ}\text{C}$

ORDERING INFORMATION

DS - 2 M S B0 A X A

D-SUB	INSULATOR MATERIAL
NO.OF PER ROW	A:PBT
2=DUAL ROW	B:PA6T
3=THREE ROW	CONTACT CL: PA9T COLOUR
TERMINAL	SHAPE
M:MALE	S:STRAIGHT
F:FEMALE	R:RIGHT ANGLE
	D:WELDING LINE
CONTACT PLATING	PACKING
FULL OF GOLD SEMI-GOLD	A:PE Bag
A0=0.8u"	B:TUBE
.....	C:TRAY
A9=30u"	B0=0.8U"
.....
B9=30U"



ANGLE	± 5°	REV	LOCAS	DESCRIPTION	DESIGN	DATE	卫国峰
X.XXX	± 0.05	01			DRAWN	DATE	尚伟
X.XX	± 0.15	02			CHECKED	DATE	吴汉学
X.X	± 0.25	03			AUDITED	DATE	龚劲松
X	± 0.50	04			APPROVED	DATE	eric

POS.	A	B	C	D	E
9	30.81	24.99	17.92	19.40	15.90
15	39.14	33.32	26.38	27.70	24.60
25	53.04	47.04	39.94	41.30	38.20
37	69.50	63.50	56.43	57.30	54.50

YLIES 东莞市瑞翔精密连接器有限公司
DONG GUAN YLIES PRECISE CONNECTOR CO.,LTD

TITLE 473-D-SUB 公头插座 双排180度插板式

DATE 2018-02-18

Tel:0769-85381995 / Fax:0769-85493987 / Email: ylies@ylies.cn / Web:www.ylies.cn

PROJECTON REV A UNIT mm SCALE 1:1 PAGE 1/1

PART NO: DS-2MSB0AXA

DRAWING NO: