

ANGLE	± 5°	REV	LOCAS	DESCRIPTION	DESIGN	DATE	卫国峰
X.XXX	± 0.05	01			DRAWN	DATE	尚伟
X.XX	± 0.15	02			CHECKED	DATE	吴汉学
X.X	± 0.25	03			AUDITED	DATE	龚劲松
X	± 0.50	04			APPROVED	DATE	eric

Specifications/备注 (Remark)

- 1-材料 (MATERIAL)
端子: 磷青铜
Contact: Phosphor bronze
- 2-特性 (characteristics):
额定电压: 250V AC/DC
Voltage Rating: 250V AC/DC
额定电流: 7 AMP (AWG #20-24)
Raring Current: 7 AMP (AWG #20-24) .-
接触阻抗: ≤10mΩ MAX.
Contact Resistance: ≤10mΩ MAX .
绝缘阻抗: ≥1000MΩMIN.
Insulating Resistance: ≥1000MΩMIN.
耐电压: 1500V AC/MINUTE
Withstanding Voltage: 1500V AC/MINUTE
温度范围: -25度至+85度
Temperature Range: -25°Cto +85°C

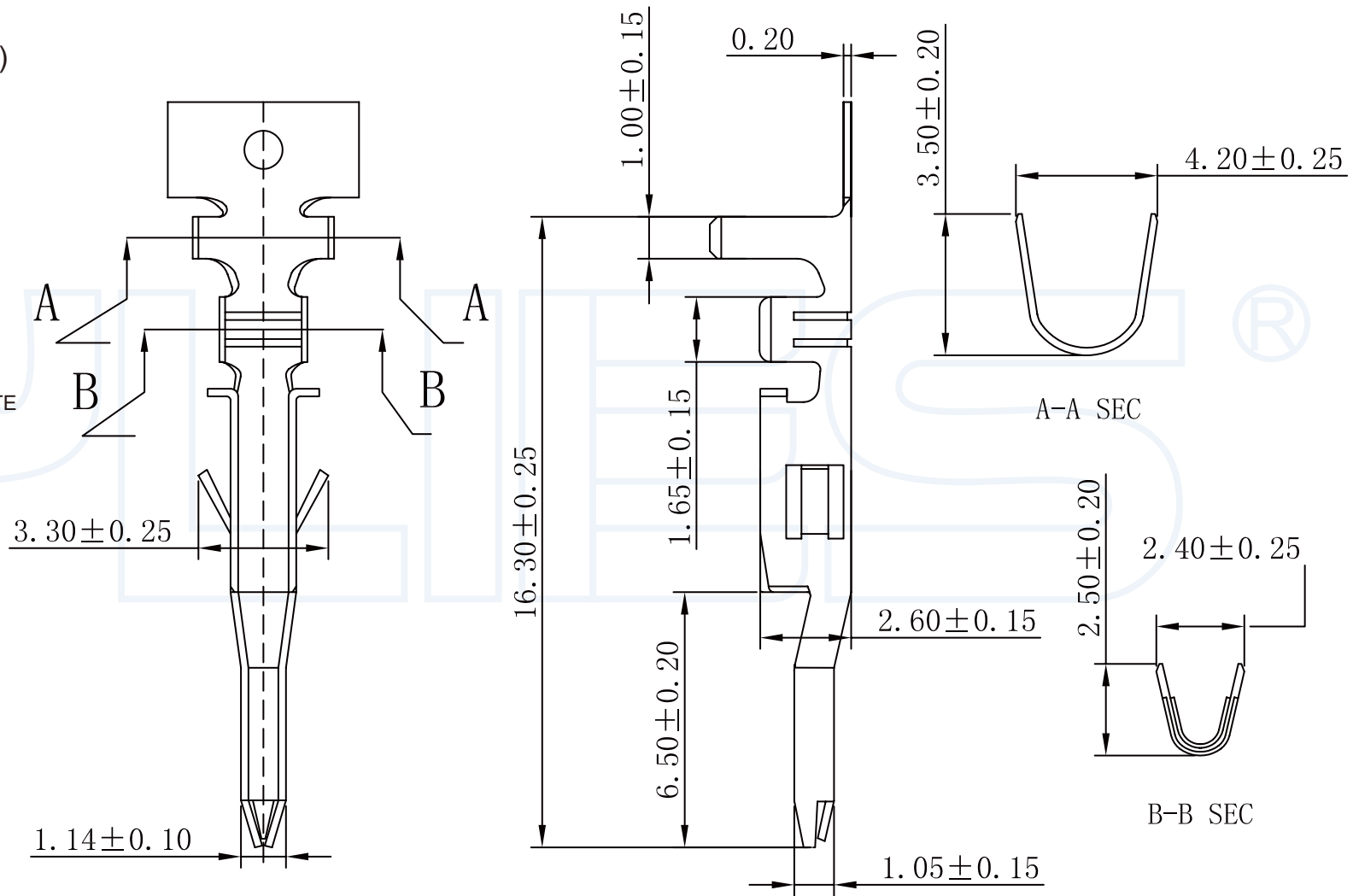
ORDERING INFORMATION

T 42- XX XX

SERLES NO
42:4.2mm
CONTACT PLATING
FULL OF GOLD SEMI-GOLD
A0=0.8u" B0=0.8U"
A9=30u" B9=30U"
S1=ORDINARY TIN PLATED
S2=MATTE TIN PLATED
S3=TIN-PLATED HIGH-TEMPERATURE

PACKING QTY

TERMINAL
M:MALE
F:FEMALE



YLIES 东莞市瑞翔精密连接器有限公司
DONG GUAN YLIES PRECISE CONNECTOR CO.,LTD

Tel:0769-85381995 / Fax:0769-85493987 / Email: ylies@ylies.cn / Web:www.ylies.cn

TITLE: 432-4.2mm 公端子 (MX4.2) DATE: 2018-02-18

PROJECTON: REV: A UNIT: mm SCALE: 1:1 PAGE: 1/1

PART NO: T42-S1M4.5 DRAWING NO: