

| | | | | | | | |
|-------|--------|-----|-------|-------------|----------|------|------|
| ANGLE | ± 5° | REV | LOCAS | DESCRIPTION | DESIGN | DATE | 卫国峰 |
| X.XXX | ± 0.05 | 01 | | | DRAWN | DATE | 尚伟 |
| X.XX | ± 0.15 | 02 | | | CHECKED | DATE | 吴汉学 |
| X.X | ± 0.25 | 03 | | | AUDITED | DATE | 龚劲松 |
| X | ± 0.50 | 04 | | | APPROVED | DATE | eric |

Specifications/备注 (Remark)

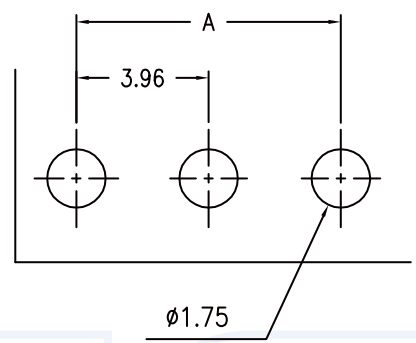
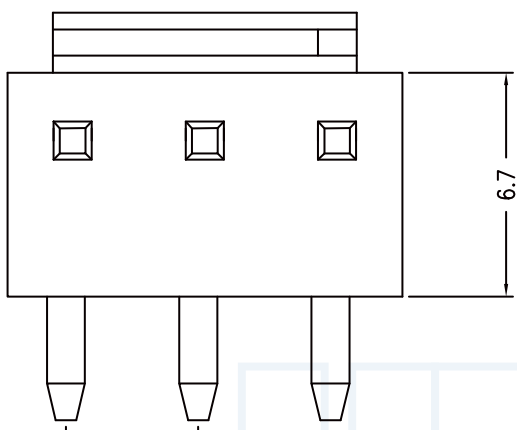
1-材料 (MATERIAL)
 胶芯: PA46 UL94V-0
 Housing: PA46 UL94V-0
 端子: 黄铜
 Contact: Brass

2-特性 (characteristics):
 额定电压: 250V AC/DC .
 Voltage Rating: 250V AC/DC .
 额定电流: 10 AMP(AWG #16-22) .
 Raring Current: 10 AMP(AWG #16-22) .
 接触阻抗: ≤10mΩ MAX.
 Contact Resistance: ≤10mΩ MAX.
 绝缘阻抗: ≥1000MΩMIN.
 Insulating Resistance: ≥1000MΩMIN.
 耐电压: 1500V AC/MINUTE
 Withstanding Voltage: 1500V AC/MINUTE
 温度范围: -25度至+85度
 Temperture Range: -25°Cto +85°C

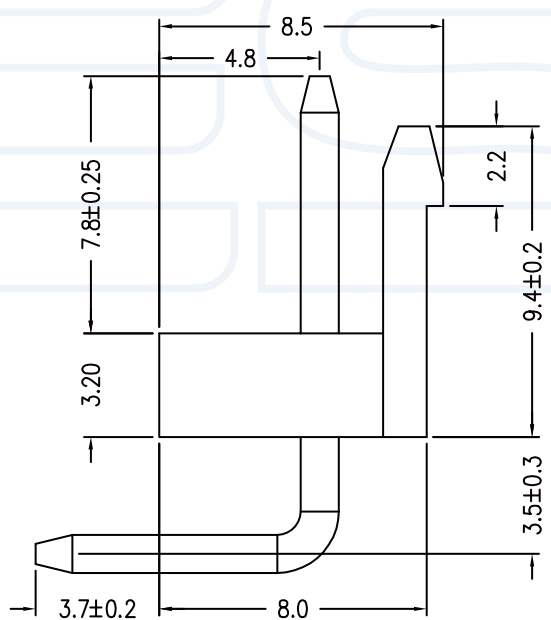
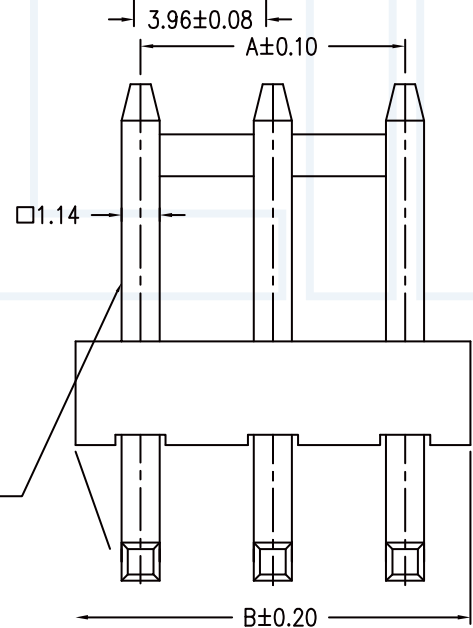
ORDERING INFORMATION

W396-XX XX X XX X

| | | |
|---------------------------------|--|---|
| NO.OF PINS Per Row 02-15P | INSULATOR MATERIAL A:PA46 B:PA66 C:PA9T D:LCP | PACKING A:PE Bag B:TUBE C:TRAY |
| SERLES NO 396:3.96mm | CONTACT PLATING FULL OF GOLD SEMI-GOLD A0=0.8u" B0=0.8u" A9=30u" B9=30u" S1=ORDINARY TIN PLATED S2=MATTE TIN PLATED S3=TIN-PLATED HIGH-TEMPERATURE | CONTACT SHAPE S: Straight R: Right Angle LT: STRAIGHT SMT WT: RIGHT ANGLE SME |



P.C.B Layout



| Poles | A | B |
|-------|-------|-------|
| 2A | 3.96 | 7.86 |
| 3A | 7.92 | 11.82 |
| 4A | 11.88 | 15.78 |
| 5A | 15.84 | 19.74 |
| 6A | 19.80 | 23.70 |
| 7A | 23.76 | 27.66 |
| 8A | 27.72 | 31.62 |
| 9A | 31.68 | 35.58 |
| 10A | 35.64 | 39.54 |

YLIES 东莞市瑞翔精密连接器有限公司
 DONG GUAN YLIES PRECISE CONNECTOR CO.,LTD

Tel:0769-85381995 / Fax:0769-85493987 / Email: ylies@ylies.cn / Web:www.ylies.cn

TITLE: 416-3.96mm 插针 90度 (VH) DATE: 2018-02-18

PROJECTON REV A UNIT mm SCALE 1:1 PAGE 1/1

PART NO: W396-XXS1BRA DRAWING NO: