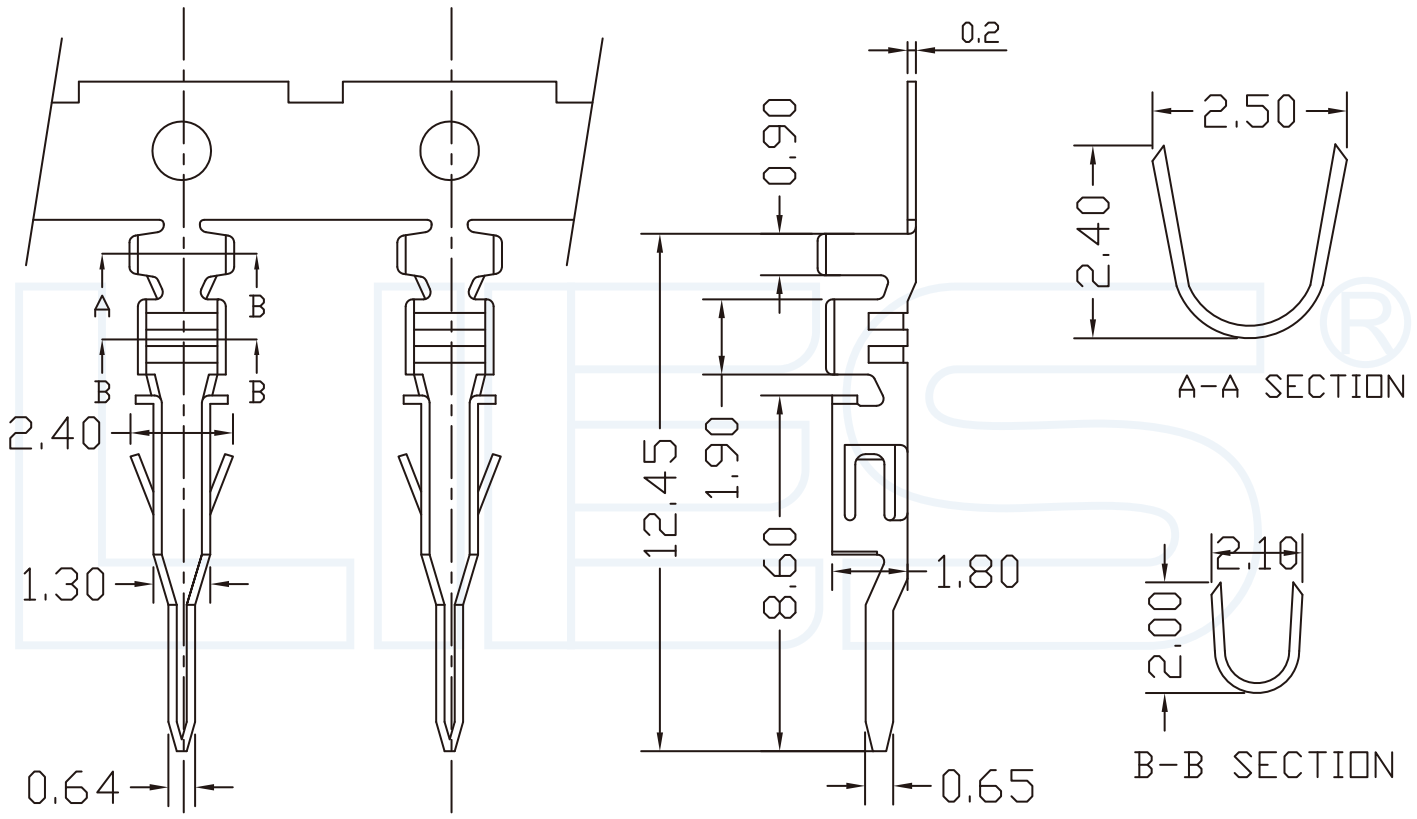


ANGLE	± 5°	REV	LOCAS	DESCRIPTION	DESIGN	DATE	卫国峰
X.XXX	± 0.05	01			DRAWN	DATE	尚伟
X.XX	± 0.15	02			CHECKED	DATE	吴汉学
X.X	± 0.25	03			AUDITED	DATE	龚劲松
X	± 0.50	04			APPROVED	DATE	eric

**Specifications/备注 (Remark)**

- 1-材料 (MATERIAL)  
端子: 磷青铜  
Contact: Phosphor bronze
- 2-特性 (characteristics):  
额定电压: 250V AC/DC .  
Voltage Rating:250V AC/DC .  
额定电流: 5 AMP (AWG #22-24) .  
Raring Current:5 AMP (AWG #22-24) .  
接触阻抗: ≤30mΩ MAX.  
Contact Resistance:≤30mΩ MAX .  
绝缘阻抗: ≥1000MΩMIN.  
Insulating Resistance:≥1000MΩMIN.  
耐电压: 1000V AC/MINUTE  
Withstanding Voltage:1000V AC/MINUTE  
温度范围: -25度至+85度  
Temperture Range: -25°Cto +85°C



**ORDERING INFORMATION**

**T 30- XX X X**

- SERLES NO  
30:3.0mm  
CONTACT PLATING  
FULL OF GOLD SEMI-GOLD  
A0=0.8u" B0=0.8U"  
... ..  
A9=30u" B9=30U"  
S1=ORDINARY TIN PLATED  
S2=MATTE TIN PLATED  
S3=TIN-PLATED HIGH-TEMPERATURE
- PACKING QTY
- TERMINAL  
M:MALE  
F:FEMALE

USED IN KR3000HM SERIES HOUSING

PART NO.	WIRE RANGE	INSULATION O.D.	MATERIAL	FINISH
B3000FT1AA120	AWG#20-#24	1.85mm(MAX)	PHOSPHOR BRONZE	TIN-PLATED

<b>东莞市瑞翔精密连接器有限公司</b> DONG GUAN YLIES PRECISE CONNECTOR CO.,LTD Tel:0769-85381995 / Fax:0769-85493987 / Email: ylies@ylies.cn / Web:www.ylies.cn	TITLE	409-3.0mm 公端子 (MX3.0)	DATE	2018-02-18				
	PROJECTON	REV	UNIT	SCALE	PAGE	PART NO:	T30-S1M10	DRAWING NO:

PROJECTON	REV	UNIT	SCALE	PAGE	PART NO:	T30-S1M10	DRAWING NO:	
-----------	-----	------	-------	------	----------	-----------	-------------	--