

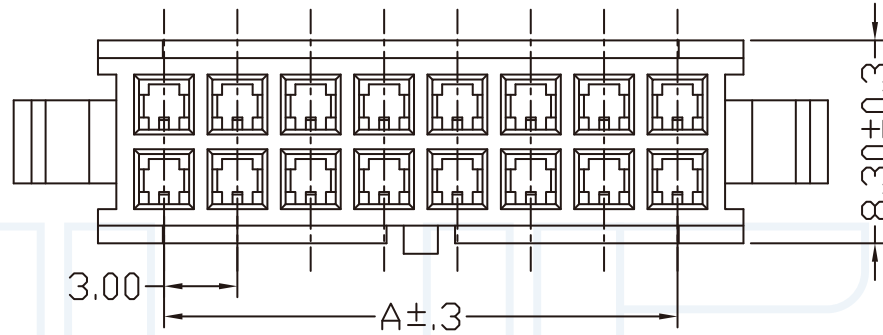
1 2 3 4 5 6 7 8 9

ANGLE	± 5°	REV	LOCAS	DESCRIPTION	DESIGN	DATE	卫国峰
X.XXX	± 0.05	01			DRAWN	DATE	尚伟
X.XX	± 0.15	02			CHECKED	DATE	吴汉学
X.X	± 0.25	03			AUDITED	DATE	龚劲松
X	± 0.50	04			APPROVED	DATE	eric

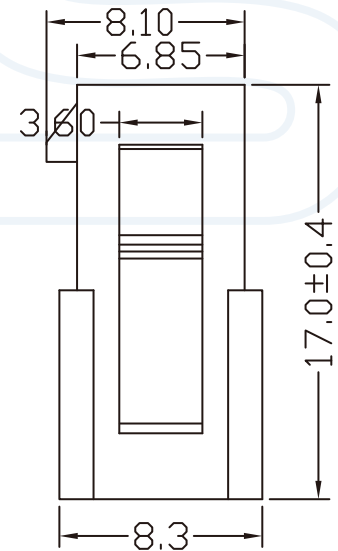
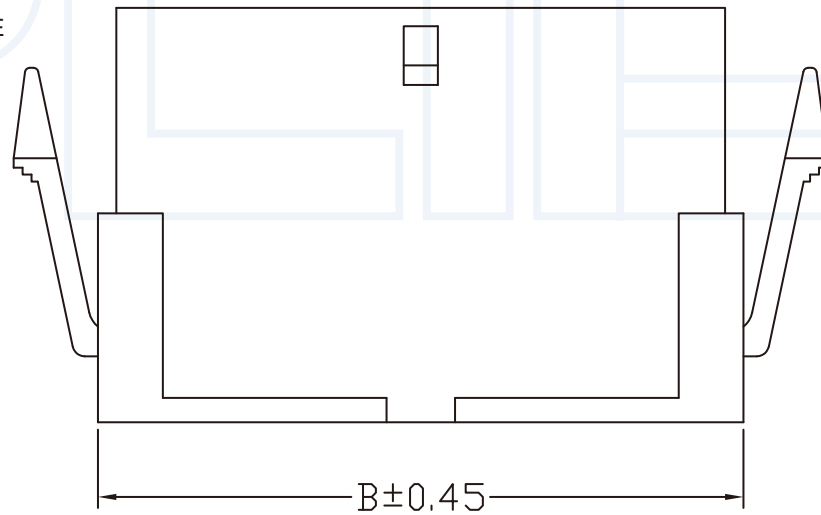
**Specifications/备注 (Remark)**

1-材料 (MATERIAL)  
 胶芯: PA66 UL94V-2  
 Housing: PA66 UL94V-2

2-特性 (characteristics):  
 额定电压: 250V AC/DC .  
 Voltage Rating: 250V AC/DC .  
 额定电流: 5 AMP (AWG #22-24) .  
 Raring Current: 5AMP (AWG #22-24) .  
 接触阻抗: ≤30mΩ MAX.  
 Contact Resistance: ≤30mΩ MAX.  
 绝缘阻抗: ≥1000MΩMIN.  
 Insulating Resistance: ≥1000MΩMIN.  
 耐电压: 1500V AC/MINUTE  
 Withstanding Voltage: 1500V AC/MINUTE  
 温度范围: -25度至+85度  
 Temperture Range: -25°Cto +85°C



PART NO.	Dimension mm	
	A	B
A3000N20140P60	----	5.30
A3000N20240P60	3.0	8.30
A3000N20340P60	6.0	11.30
A3000N20440P60	9.0	14.30
A3000N20540P60	12.0	17.30
A3000N20640P60	15.0	20.30
A3000N20740P60	18.0	23.30
A3000N20840P60	21.0	26.30
A3000N20940P60	24.0	29.30
A3000N21040P60	27.0	32.30
A3000N21140P60	30.0	35.30
A3000N21240P60	33.0	38.30



**ORDERING INFORMATION**

**H 30--XX X X X**

NO.OF PINS Per Row 02-12P	INSULATOR MATERIAL A:PA46 B:PA66 C:PA9T D:LCP	PACKING A:PE Bag B:TUBE C:TRAY
SERLES NO 30:3.0mm	TYPE F=FEMALE M=MALE P=PIERCE	

**YLIES** 东莞市瑞翔精密连接器有限公司  
 DONG GUAN YLIES PRECISE CONNECTOR CO.,LTD

Tel:0769-85381995 / Fax:0769-85493987 / Email: ylies@ylies.cn / Web:www.ylies.cn

TITLE 408-3.0mm 母胶壳双排(MX3.0) DATE 2018-02-18

PROJECTON REV A UNIT mm SCALE 1:1 PAGE 1/1

PART NO: H30-XXFBA DRAWING NO:

1 2 3 4 5 6 7 8 9