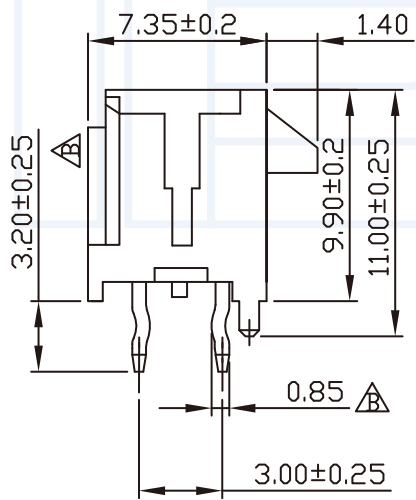
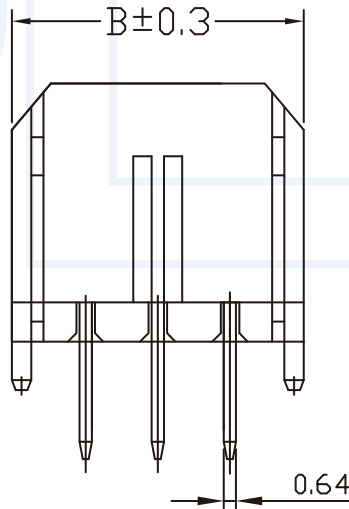
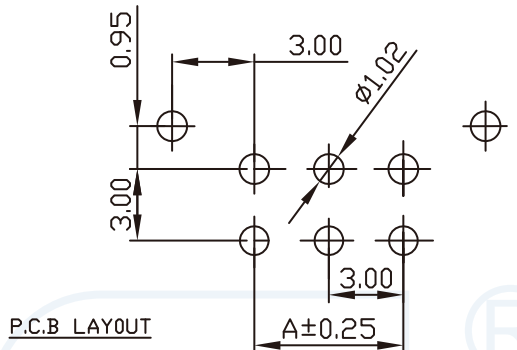
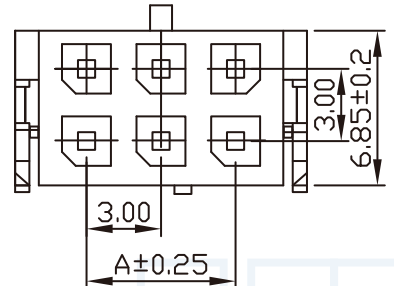


ANGLE	± 5°	REV	LOCAS	DESCRIPTION	DESIGN	DATE	卫国峰
X.XXX	± 0.05	01			DRAWN	DATE	尚伟
X.XX	± 0.15	02			CHECKED	DATE	吴汉学
X.X	± 0.25	03			AUDITED	DATE	龚劲松
X	± 0.50	04			APPROVED	DATE	eric

Specifications/备注 (Remark)

1-材料 (MATERIAL)
 胶芯: PA46 UL94V-0
 Housing: PA46 UL94V-0
 端子: 黄铜
 Contact: Brass

2-特性 (characteristics):
 额定电压: 250V AC/DC .
 Voltage Rating: 250V AC/DC .
 额定电流: 5 AMP (AWG #22-24) .
 Rating Current: 5 AMP (AWG #22-24) .
 接触阻抗: ≤30mΩ MAX.
 Contact Resistance: ≤30mΩ MAX.
 绝缘阻抗: ≥1000MΩMIN.
 Insulating Resistance: ≥1000MΩMIN.
 耐电压: 1500V AC/MINUTE
 Withstanding Voltage: 1500V AC/MINUTE
 温度范围: -25度至+85度
 Temperature Range: -25°C to +85°C



ORDERING INFORMATION
W30-XX XX X XX X

NO.OF PINS Per Row 02-12P	INSULATOR MATERIAL A:PA46 B:PA66 C:PA9T D:LCP	PACKING A:PE Bag B:TUBE C:TRAY
SERLES NO 30:3.0mm	CONTACT PLATING FULL OF GOLD SEMI-GOLD A0=0.8u" B0=0.8u"	CONTACT SHAPE S: Straight R: Right Angle LT: STRAIGHT SMT WT: RIGHT ANGLE SME
.... A9=30u" B9=30u"	S1=ORDINARY TIN PLATED S2=MATTE TIN PLATED S3=TIN-PLATED HIGH-TEMPERATURE	

PART NO.	Dimension mm	
	A	B
C3000VD20130P440	---	6.65
C3000VD20230P440	3.0	9.65
C3000VD20330P440	6.0	12.65
C3000VD20430P440	9.0	15.65
C3000VD20530P440	12.0	18.65
C3000VD20630P440	15.0	21.65
C3000VD20730P440	18.0	24.65
C3000VD20830P440	21.0	27.65
C3000VD20930P440	24.0	30.65
C3000VD21030P440	27.0	33.65
C3000VD21130P440	30.0	36.65
C3000VD21230P440	33.0	39.65

YLIES 东莞市瑞翔精密连接器有限公司
 DONG GUAN YLIES PRECISE CONNECTOR CO.,LTD

TITLE: 403-3.0mm 双排插针 180度 (MX3.0) DATE: 2018-02-18

Tel:0769-85381995 / Fax:0769-85493987 / Email: ylies@ylies.cn / Web:www.ylies.cn

PROJECTON REV A UNIT mm SCALE 1:1 PAGE 1/1

PART NO: W30-XXS1ASA DRAWING NO: