

ANGLE	± 5°	REV	LOCAS	DESCRIPTION	DESIGN	DATE	卫国峰
X.XXX	± 0.05	01			DRAWN	DATE	尚伟
X.XX	± 0.15	02			CHECKED	DATE	吴汉学
X.X	± 0.25	03			AUDITED	DATE	龚劲松
X	± 0.50	04			APPROVED	DATE	eric

### Specifications/备注 (Remark)

#### 1-材料 (MATERIAL)

端子: 磷青铜

Contact: Phosphor bronze

#### 2-特性 (characteristics):

额定电压: 250V AC/DC .

Voltage Rating:250V AC/DC .

额定电流: 3 AMP (AWG #22-28) .

Rating Current:3 AMP (AWG #22-28) .

接触阻抗: ≤20mΩ MAX.

Contact Resistance:≤20mΩ MAX .

绝缘阻抗: ≥1000MΩMIN.

Insulating Resistance:≥1000MΩMIN.

耐电压: 1000V AC/MINUTE

Withstanding Voltage:1000V AC/MINUTE

温度范围: -25度至+85度

Temperature Range: -25°Cto +85°C

### ORDERING INFORMATION

T254- XX X X

TERMINAL  
M:MALE  
F:FEMALE

SERLES NO

254:2.54mm

PACKING QTY

CONTACT PLATING

FULL OF GOLD SEMI-GOLD

A0=0.8u" B0=0.8U"

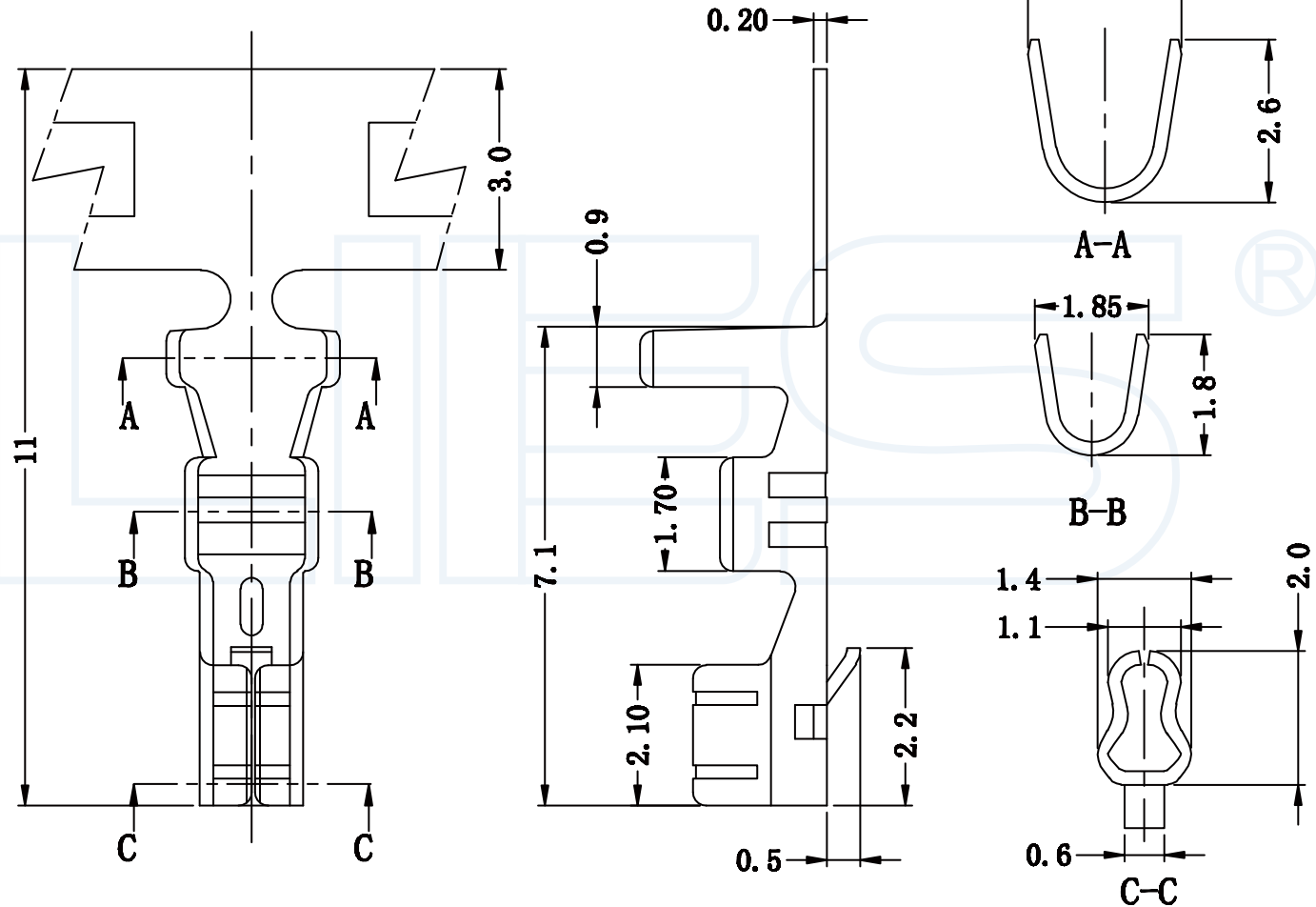
.....

A9=30u" B9=30U"

S1=ORDINARY TIN PLATED

S2=MATTE TIN PLATED

S3=TIN-PLATED HIGH-TEMPERATURE



**YLIES** 东莞市瑞翔精密连接器有限公司  
DONG GUAN YLIES PRECISE CONNECTOR CO.,LTD

Tel:0769-85381995 / Fax:0769-85493987 / Email: ylies@ylies.cn / Web:www.ylies.cn

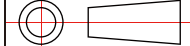
TITLE

392-2.54mm 端子-52640

DATE

2018-02-18

PROJECTON



REV

A

UNIT

mm

SCALE

1:1

PAGE

1/1

PART NO:

T254-S1XC

DRAWING NO:

1

2

3

4

5

6

7

8

9