

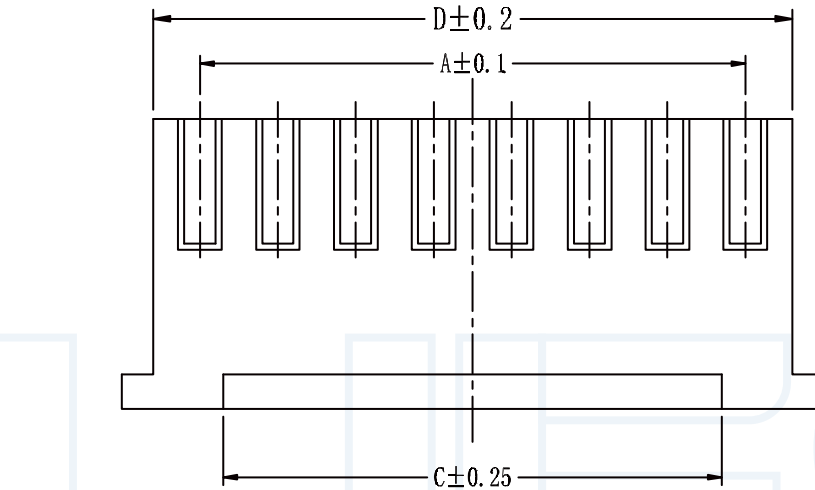
1 2 3 4 5 6 7 8 9

ANGLE	± 5°	REV	LOCAS	DESCRIPTION	DESIGN	DATE	卫国峰
X.XXX	± 0.05	01			DRAWN	DATE	尚伟
X.XX	± 0.15	02			CHECKED	DATE	吴汉学
X.X	± 0.25	03			AUDITED	DATE	龚劲松
X	± 0.50	04			APPROVED	DATE	eric

### Specifications/备注 (Remark)

- 1-材料 (MATERIAL)  
 胶芯: PA66 UL94V-2  
 Housing: PA66 UL94V-2
- 2-特性 (characteristics):  
 额定电压: 250V AC/DC .  
 Voltage Rating: 250V AC/DC .  
 额定电流: 4-3 AMP (AWG #18-22) .  
 Rating Current: 4-3 AMP (AWG #18-22) .  
 接触阻抗: ≤20mΩ MAX.  
 Contact Resistance: ≤20mΩ MAX.  
 绝缘阻抗: ≥1000MΩMIN.  
 Insulating Resistance: ≥1000MΩMIN.  
 耐电压: 1000V AC/MINUTE  
 Withstanding Voltage: 1000V AC/MINUTE  
 温度范围: -25度至+85度  
 Temperature Range: -25°C to +85°C

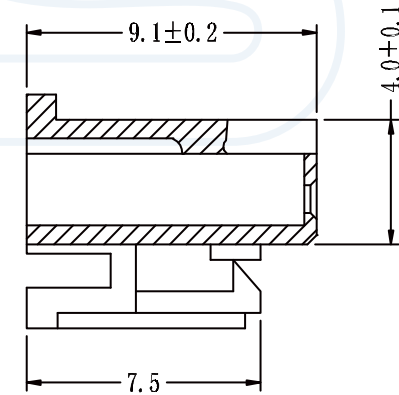
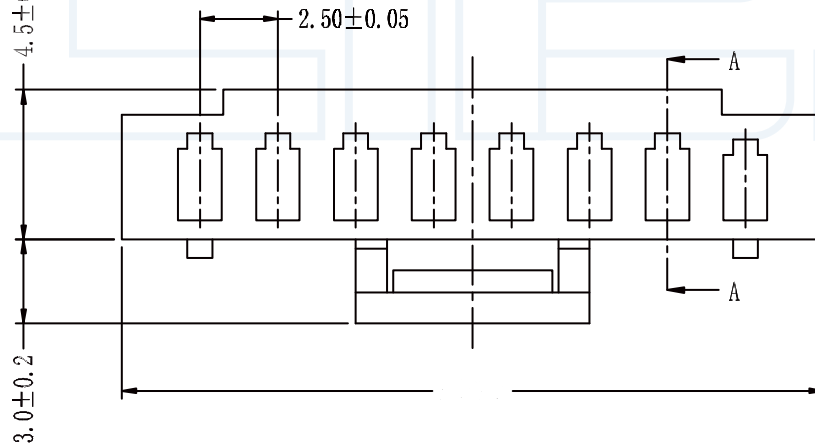
Poles	A	B	C	D
2 Y	2.5	7.5	3.5	5.7
3 Y	5.0	10.0	6.0	8.2
4 Y	7.5	12.5	8.5	10.7
5 Y	10.0	15.0	11.0	13.2
6 Y	12.5	17.5	13.5	15.7
7 Y	15.0	20.0	16.0	18.2
8 Y	17.5	22.5	18.5	20.7
9 Y	20.0	25.0	21.0	23.2
10 Y	22.5	27.5	23.5	25.7
11 Y	25.0	30.0	26.0	28.2
12 Y	27.5	32.5	28.5	30.7
13 Y	30.0	35.0	31.0	33.2
14 Y	32.5	37.5	33.5	35.7
15 Y	35.0	40.0	36.0	38.2
16 Y	37.5	42.5	38.5	40.7



### ORDERING INFORMATION

H 254--XX X X X

- |                                 |  |   |
|---------------------------------|--|---|
| NO.OF PINS<br>Per Row<br>02-16P | INSULATOR<br>MATERIAL<br>A:PA66<br>B:PA66<br>C:PA9T<br>D:LCP | PACKING<br>A:PE Bag<br>B:TUBE<br>C:TRAY |
| SERLES NO<br>254:2.54mm         | TYPE<br>F=FEMALE<br>M=MALE<br>P=PIERCE                       |   |



SEC A-A

**YLIES** 东莞市瑞翔精密连接器有限公司  
 DONG GUAN YLIES PRECISE CONNECTOR CO.,LTD

Tel:0769-85381995 / Fax:0769-85493987 / Email: ylies@ylies.cn / Web:www.ylies.cn

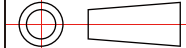
TITLE

385-2.54mm 胶壳单排带扣

DATE

2018-02-18

PROJECTON



REV

UNIT

SCALE

PAGE

PART NO:

H254-XXXBA

DRAWING NO:

1 2 3 4 5 6 7 8 9