

1 2 3 4 5 6 7 8 9

ANGLE	± 5°	REV	LOCAS	DESCRIPTION	DESIGN	DATE	卫国峰
X.XXX	± 0.05	01			DRAWN	DATE	尚伟
X.XX	± 0.15	02			CHECKED	DATE	吴汉学
X.X	± 0.25	03			AUDITED	DATE	龚劲松
X	± 0.50	04			APPROVED	DATE	eric

尺寸 \ Pin数	2P	3P	4P	5P	6P	7P	8P	9P	10P	11P	12P	13P	14P	15P
A	2.50	5.00	7.50	10.0	12.5	15.0	17.5	20.0	22.5	25.0	27.5	30.0	32.5	35.0
B	7.5	10.0	12.5	15.0	17.5	20.0	22.5	25.0	27.5	30.0	32.5	35.0	37.5	40.0

Specifications/备注 (Remark)

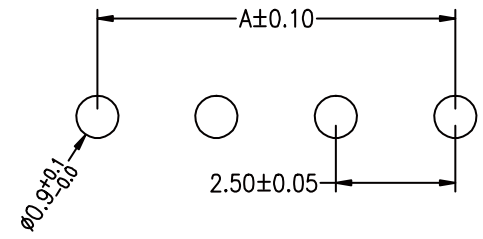
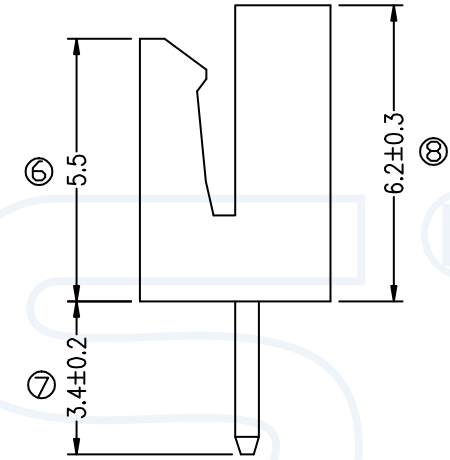
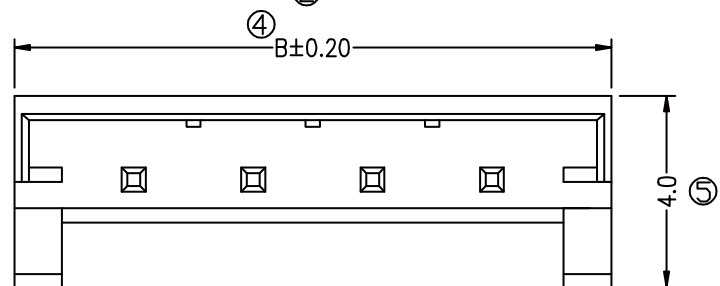
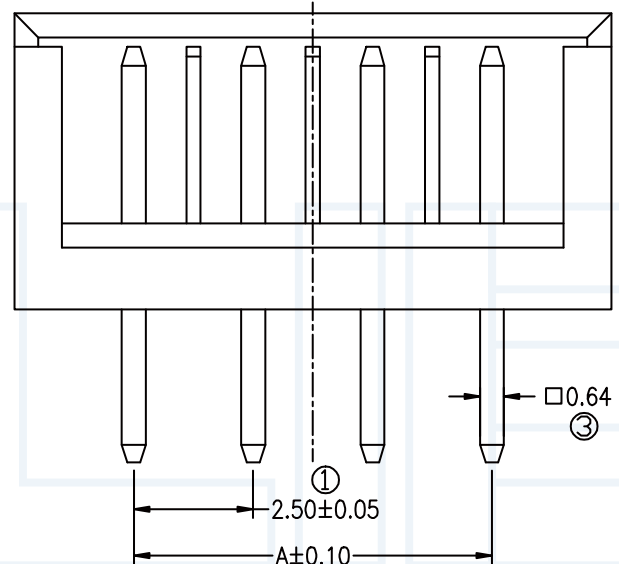
1-材料 (MATERIAL)
 胶芯: PA66 UL94V-2
 Housing: PA66 UL94V-2
 端子: 黄铜
 Contact: Brass

2-特性 (characteristics):
 额定电压: 250V AC/DC .
 Voltage Rating: 250V AC/DC .
 额定电流: 3 AMP (AWG #22-30) .
 Raring Current: 3 AMP (AWG #22-30) .
 接触阻抗: ≤20mΩ MAX.
 Contact Resistance: ≤20mΩ MAX.
 绝缘阻抗: ≥1000MΩMIN.
 Insulating Resistance: ≥1000MΩMIN.
 耐电压: 1000V AC/MINUTE
 Withstanding Voltage: 1000V AC/MINUTE
 温度范围: -25度至+85度
 Temperature Range: -25°C to +85°C

ORDERING INFORMATION

W254-XX XX X XX X

NO.OF PINS Per Row 02-20P	INSULATOR MATERIAL A:PA46 B:PA66 C:PA9T D:LCP	PACKING A:PE Bag B:TUBE C:TRAY
SERLES NO 254:2.54mm	CONTACT PLATING FULL OF GOLD SEMI-GOLD A0=0.8U" B0=0.8U"	CONTACL SHAPE S: Straight R: Right Angle LT: STRAIGHT SMT WT: RIGHT ANGLE SME
.....
A9=30U" B9=30U"	S1=ORDINARY TIN PLATED	
	S2=MATTE TIN PLATED	
	S3=TIN-PLATED HIGH-TEMPERATURE	



YLIES 东莞市瑞翔精密连接器有限公司
 DONG GUAN YLIES PRECISE CONNECTOR CO.,LTD

Tel:0769-85381995 / Fax:0769-85493987 / Email: ylies@ylies.cn / Web:www.ylies.cn

TITLE 380-2.54mm 单排插针 180度 (EH) DATE 2018-02-18

PROJECTON REV A UNIT mm SCALE 1:1 PAGE 1/1

PART NO: W254-XXS1BSA DRAWING NO:

1 2 3 4 5 6 7 8 9