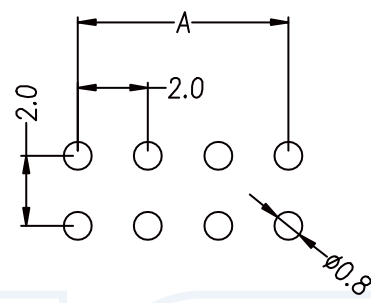
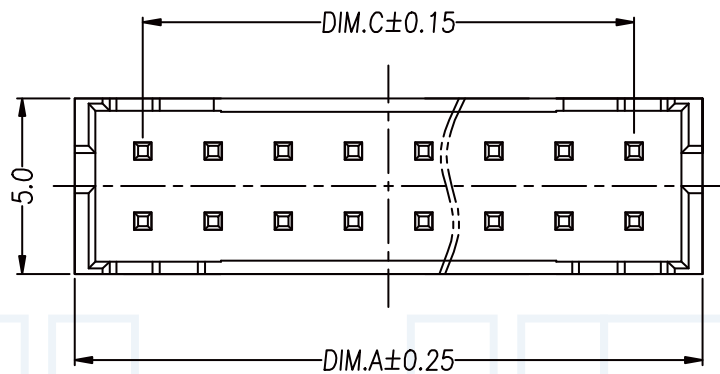


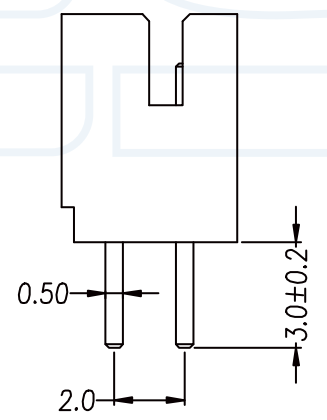
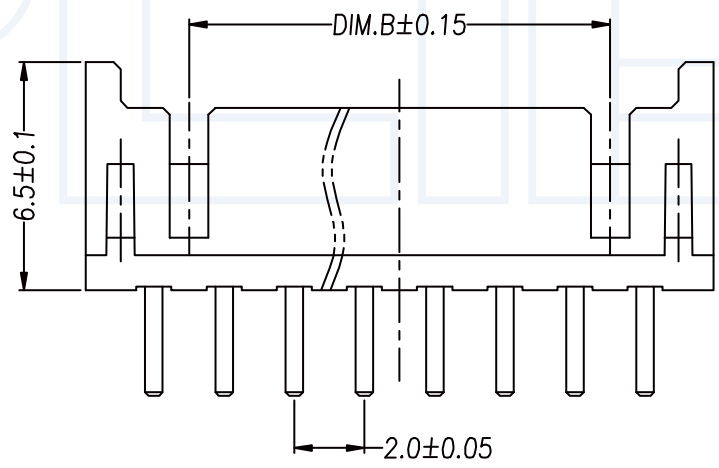
ANGLE	± 5°	REV	LOCAS	DESCRIPTION	DESIGN	DATE	卫国峰
X.XXX	± 0.05	01			DRAWN	DATE	尚伟
X.XX	± 0.15	02			CHECKED	DATE	吴汉学
X.X	± 0.25	03			AUDITED	DATE	龚劲松
X	± 0.50	04			APPROVED	DATE	eric

Specifications/备注 (Remark)

- 1-材料 (MATERIAL)
 胶芯: PA66 UL94V-2
 Housing: PA66 UL94V-2
 端子: 黄铜
 Contact: Brass
- 2-特性 (characteristics):
 额定电压: 250V AC/DC .
 Voltage Rating: 250V AC/DC .
 额定电流: 2 AMP (AWG #24-28) .
 Rating Current: 2 AMP (AWG #24-28) .
 接触阻抗: ≤20mΩ MAX.
 Contact Resistance: ≤20mΩ MAX.
 绝缘阻抗: ≥1000MΩMIN.
 Insulating Resistance: ≥1000MΩMIN.
 耐电压: 800V AC/MINUTE
 Withstanding Voltage: 800V AC/MINUTE
 温度范围: -25度至+85度
 Temperature Range: -25°C to +85°C



P.C.B. Layout



No. of Contacts	DIMENSIONS		
	DIM A	DIM B	DIM C
2P	5.90	0.00	2.00
3P	7.90	2.00	4.00
4P	9.90	4.00	6.00
5P	11.90	6.00	8.00
6P	13.90	8.00	10.00
7P	15.90	10.00	12.00
8P	17.90	12.00	14.00
9P	19.90	14.00	16.00
10P	21.90	16.00	18.00
11P	23.90	18.00	20.00
12P	25.90	20.00	22.00
13P	27.90	22.00	24.00
14P	29.90	24.00	26.00
15P	31.90	26.00	28.00
16P	33.90	28.00	30.00
17P	35.90	30.00	32.00
18P	37.90	32.00	34.00
19P	39.90	34.00	36.00
20P	41.90	36.00	38.00

ORDERING INFORMATION

W20-XX XX X XX X

- | | | |
|---------------------------------|---|---|
| NO.OF PINS
Per Row
02-20P | INSULATOR
MATERIAL
A:PA46
B:PA66
C:PA9T
D:LCP | PACKING
A:PE Bag
B:TUBE
C:TRAY |
| SERLES NO
20:2.0mm | CONTACT PLATING
FULL OF GOLD SEMI-GOLD
A0=0.8u" B0=0.8u" | CONTACT SHAPE
S: Straight
R: Right Angle
LT: STRAIGHT SMT
WT: RIGHT ANGLE SME |
| A9=30u" B9=30u" | S1=ORDINARY TIN PLATED
S2=MATTE TIN PLATED
S3=TIN-PLATED HIGH-TEMPERATURE | |

YLIES 东莞市瑞翔精密连接器有限公司
 DONG GUAN YLIES PRECISE CONNECTOR CO.,LTD

Tel:0769-85381995 / Fax:0769-85493987 / Email: ylies@ylies.cn / Web:www.ylies.cn

TITLE: 371-2.0mm 双排插针 180度 (PHD) DATE: 2018-02-18

PROJECTON REV A UNIT mm SCALE 1:1 PAGE 1/1

PART NO: W20-XXS1ASA DRAWING NO: