

1 2 3 4 5 6 7 8 9

ANGLE	± 5°	REV	LOCAS	DESCRIPTION	DESIGN	DATE	卫国峰
X.XXX	± 0.05	01			DRAWN	DATE	尚伟
X.XX	± 0.15	02			CHECKED	DATE	吴汉学
X.X	± 0.25	03			AUDITED	DATE	龚劲松
X	± 0.50	04			APPROVED	DATE	eric

Specifications/备注 (Remark)

1-材料 (MATERIAL)

胶芯: PA66 UL94V-0

Housing: PA66 UL94V-0

2-特性 (characteristics):

额定电压: 125V AC/DC .

Voltage Rating: 125V AC/DC .

额定电流: 2 AMP (AWG #22-30) .

Rating Current: 2 AMP (AWG #22-30) .

接触阻抗: ≤20mΩ MAX.

Contact Resistance: ≤20mΩ MAX.

绝缘阻抗: ≥1000MΩMIN.

Insulating Resistance: ≥1000MΩMIN.

耐电压: 1000V AC/MINUTE

Withstanding Voltage: 1000V AC/MINUTE

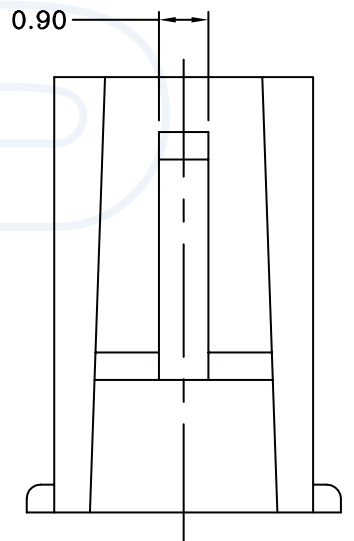
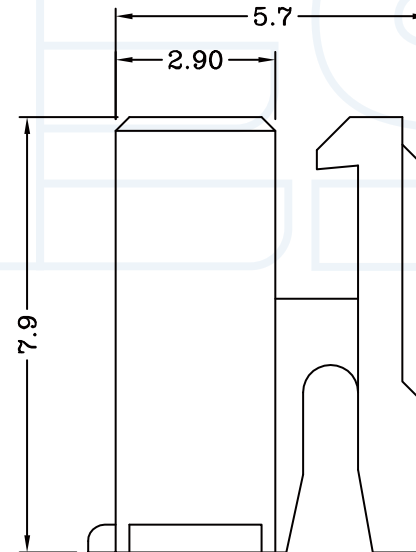
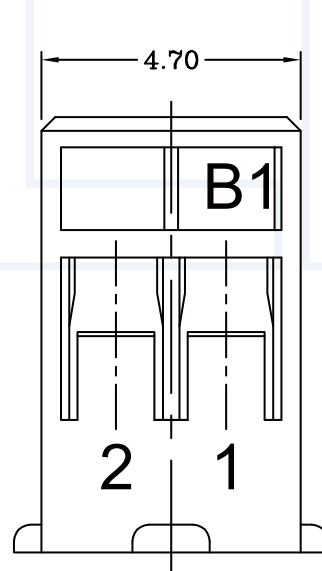
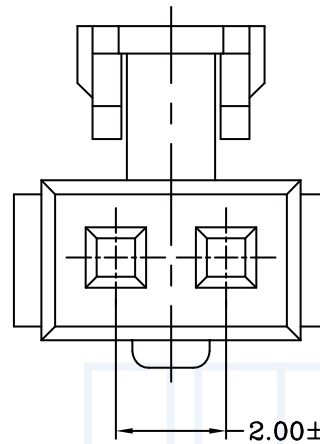
温度范围: -25度至+85度

Temperture Range: -25°Cto +85°C

ORDERING INFORMATION

H 20--XX F X X

NO.OF PINS Per Row 02-16P	INSULATOR MATERIAL A:PA46 B:PA66 C:PA9T D:LCP	PACKING A:PE Bag B:TUBE C:TRAY
SERLES NO 20:2.0mm	TYPE F=FEMALE M=MALE P=PIERCE	



YLIES 东莞市瑞翔精密连接器有限公司
DONG GUAN YLIES PRECISE CONNECTOR CO.,LTD

Tel:0769-85381995 / Fax:0769-85493987 / Email: ylies@ylies.cn / Web:www.ylies.cn

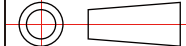
TITLE

369-2.0mm 胶壳单排带扣

DATE

2018-02-18

PROJECTON



REV

A

UNIT

mm

SCALE

1:1

PAGE

1/1

PART NO:

H20-XXFBA

DRAWING NO:

1 2 3 4 5 6 7 8 9