

1 2 3 4 5 6 7 8 9

ANGLE	± 5°	REV	LOCAS	DESCRIPTION	DESIGN	DATE	卫国峰
X.XXX	± 0.05	01			DRAWN	DATE	尚伟
X.XX	± 0.15	02			CHECKED	DATE	吴汉学
X.X	± 0.25	03			AUDITED	DATE	龚劲松
X	± 0.50	04			APPROVED	DATE	eric

Specifications/备注 (Remark)

1-材料 (MATERIAL)
 胶芯: PA66 UL94V-0
 Housing: PA66 UL94V-0

2-特性 (characteristics):
 额定电压: 50V AC/DC .
 Voltage Rating: 50V AC/DC .
 额定电流: 2 AMP (AWG #28-30) .
 Raring Current: 2 AMP (AWG #28-30) .
 接触阻抗: ≤20mΩ MAX.
 Contact Resistance: ≤20mΩ MAX.
 绝缘阻抗: ≥100MΩMIN.
 Insulating Resistance: ≥100MΩMIN.
 耐电压: 500V AC/MINUTE
 Withstanding Voltage: 500V AC/MINUTE
 温度范围: -25度至+85度
 Temperature Range: -25°Cto +85°C

ORDERING INFORMATION

H 20-XX F X X

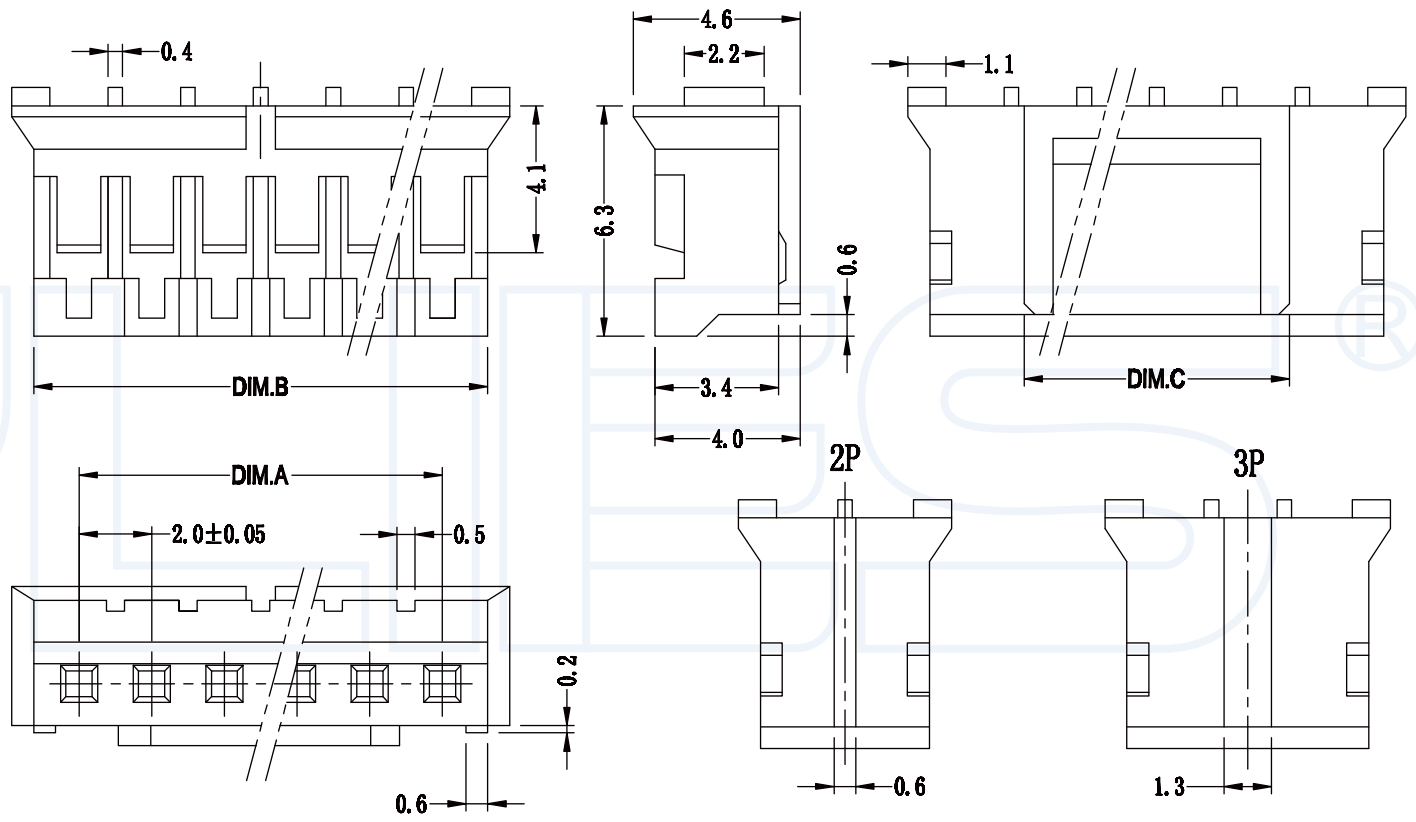
NO.OF PINS Per Row 02-16P

INSULATOR MATERIAL
 A: PA46
 B: PA66
 C: PA9T
 D: LCP

PACKING
 A: PE Bag
 B: TUBE
 C: TRAY

SERLES NO 20: 2.0mm

TYPE
 F=FEMALE
 M=MALE
 P=PIERCE



PIN DIM	2P	3P	4P	5P	6P	7P	8P	9P	10P	11P	12P	13P	14P	15P	16P
DIM"A"	2.00	4.00	6.00	8.00	10.00	12.00	14.00	16.00	18.00	20.00	22.00	24.00	26.00	28.00	30.00
DIM"B"	4.50	6.50	8.50	10.50	12.50	14.50	16.50	18.50	20.50	22.50	24.50	26.50	28.50	30.50	32.50
DIM"C"	0.60	1.30	3.30	5.30	7.30	9.30	11.30	13.30	15.30	17.30	19.30	21.30	23.30	25.30	27.30

YLIES 东莞市瑞翔精密连接器有限公司
 DONG GUAN YLIES PRECISE CONNECTOR CO.,LTD

Tel:0769-85381995 / Fax:0769-85493987 / Email: ylies@ylies.cn / Web:www.ylies.cn

TITLE: 365-2.0mm 胶壳单排 DATE: 2018-02-18

PROJECTON REV A UNIT mm SCALE 1:1 PAGE 1/1

PART NO: H20-XXFBA DRAWING NO:

1 2 3 4 5 6 7 8 9