

ANGLE	± 5°	REV	LOCAS	DESCRIPTION	DESIGN	DATE	卫国峰
X.XXX	± 0.05	01			DRAWN	DATE	尚伟
X.XX	± 0.15	02			CHECKED	DATE	吴汉学
X.X	± 0.25	03			AUDITED	DATE	龚劲松
X	± 0.50	04			APPROVED	DATE	eric

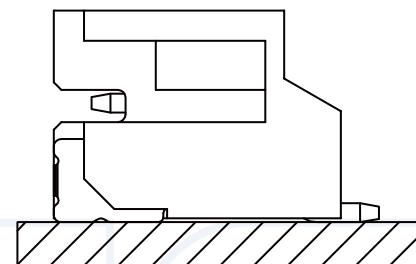
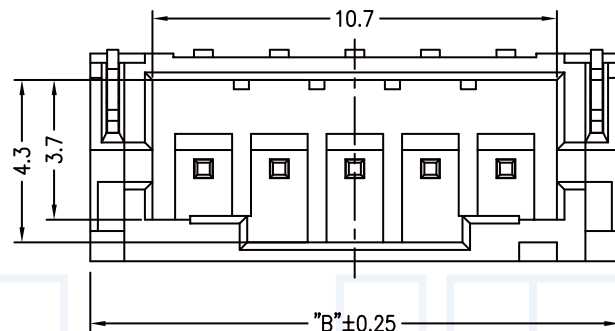
### Specifications/备注 (Remark)

#### 1-材料 (MATERIAL)

胶芯: PA46 UL94V-0  
Housing: PA46 UL94V-0  
端子(焊片): 黄铜(磷青铜)  
Contact (Solder Tab): Brass (Phosphor bronze)

#### 2-特性 (characteristics):

额定电压: 50V AC/DC  
Voltage Rating: 50V AC/DC  
额定电流: 2 AMP (AWG #24-30)  
Raring Current: 2 AMP (AWG #24-30)  
接触阻抗: ≤10mΩ MAX.  
Contact Resistance: ≤10mΩ MAX.  
绝缘阻抗: ≥1000MΩMIN.  
Insulating Resistance: ≥1000MΩMIN.  
耐电压: 100V AC/MINUTE  
Withstanding Voltage: 100V AC/MINUTE  
温度范围: -25度至+85度  
Temperature Range: -25°C to +85°C



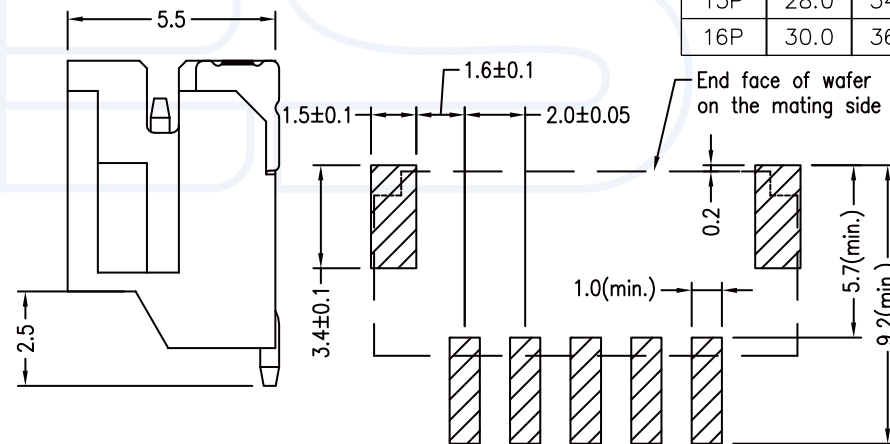
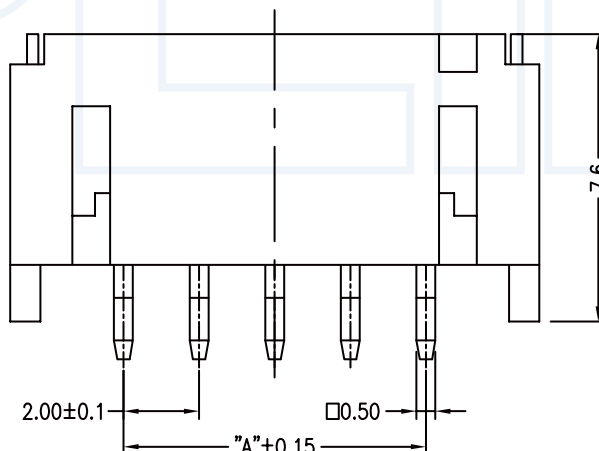
Assembly layout

Poles	DIM.A	DIM.B
2P	2.0	8.0
3P	4.0	10.0
4P	6.0	12.0
5P	8.0	14.0
6P	10.0	16.0
7P	12.0	18.0
8P	14.0	20.0
9P	16.0	22.0
10P	18.0	24.0
11P	20.0	26.0
12P	22.0	28.0
13P	24.0	30.0
14P	26.0	32.0
15P	28.0	34.0
16P	30.0	36.0

### ORDERING INFORMATION

#### W20-XX XX X XX X

NO.OF PINS Per Row 02-16P	INSULATOR MATERIAL A:PA46 B:PA66 C:PA9T D:LCP	PACKING A:PE Bag B:TUBE C:TRAY
SERLES NO 20:2.0mm	CONTACT PLATING FULL OF GOLD SEMI-GOLD A0=0.8u" B0=0.8U"	CONTACT SHAPE S: Straight R: Right Angle LT: STRAIGHT SMT WT: RIGHT ANGLE SME
..... A9=30u" B9=30U"	..... S1=ORDINARY TIN PLATED S2=MATTE TIN PLATED S3=TIN-PLATED HIGH-TEMPERATURE	



P.C.B LAYOUT

**YLIES** 东莞市瑞翔精密连接器有限公司  
DONG GUAN YLIES PRECISE CONNECTOR CO.,LTD

Tel:0769-85381995 / Fax:0769-85493987 / Email: ylies@ylies.cn / Web:www.ylies.cn

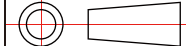
TITLE

364-2.0mm 卧贴 单排插针

DATE

2018-02-18

PROJECTON



REV

A

UNIT

mm

SCALE

1:1

PAGE

1/1

PART NO:

W20-XXS1CWTB

DRAWING NO:

1

2

3

4

5

6

7

8

9