

ANGLE	± 5°	REV	LOCAS	DESCRIPTION	DESIGN	DATE	卫国峰
X.XXX	± 0.05	01			DRAWN	DATE	尚伟
X.XX	± 0.15	02			CHECKED	DATE	吴汉学
X.X	± 0.25	03			AUDITED	DATE	龚劲松
X	± 0.50	04			APPROVED	DATE	eric

### Specifications/备注 (Remark)

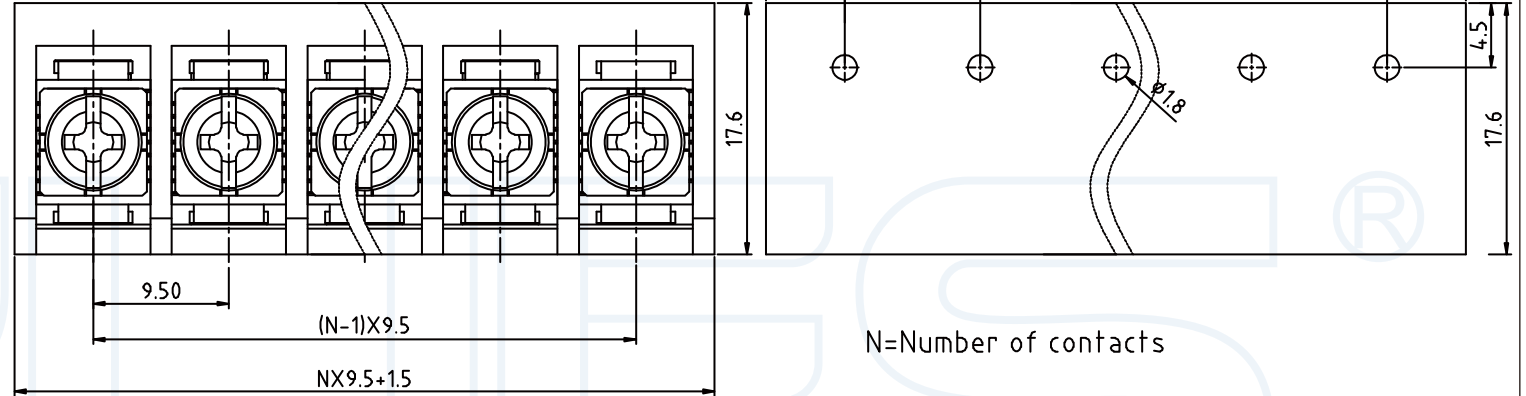
#### 1-材料 (MATERIAL)

胶芯: PA66 UL94V-0  
Housing: PA66 UL94V-0  
端子: 黄铜

Contact: Phosphor bronze

#### 2-特性 (characteristics):

额定电压: 300V AC/DC .  
Voltage Rating: 300V AC/DC.  
额定电流: 25 AMP.(AWG #12-22) .  
Rating Current: 25 AMP.(AWG #12-22) .  
接触阻抗: ≤20mΩ MAX.  
Contact Resistance: ≤20mΩ MAX.  
耐电压: 2500V AC/MINUTE  
Withstanding Voltage: 2500V AC/MINUTE  
温度范围: -40度至+105度  
Temperature Range: -40°C to +105°C

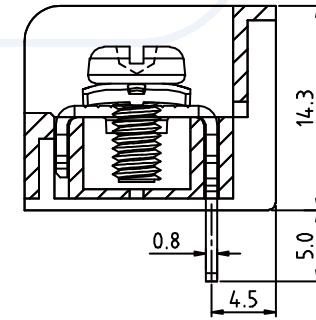
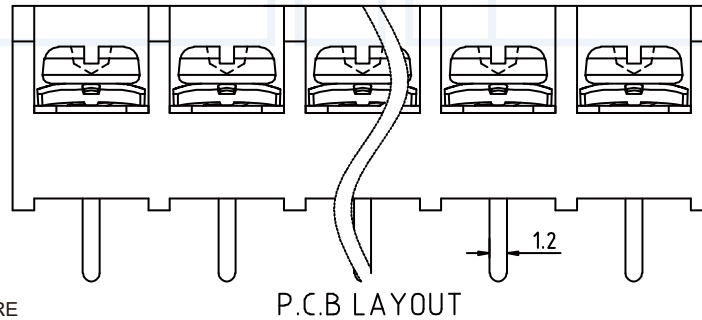


N=Number of contacts

### ORDERING INFORMATION

#### JX762- XX M S S1 B BD

SERLES NO 95:9.5mm	NVO.OF PINS Per Row	CONTACT SHAPE	INSULATOR MATERIAL	PACKING	COLOUR
JX=TERMINAL BLOCKS 02-32P	TYPE	S:STRAIGHT R:Right Angle WT:Right Angle SMT	A:PA46 B:PA66 C:PA9T D:LCP	A:PE Bag B:TUBE C:TRAY D:BOX	B:BLACK L:BLUE G:GREE
	F=MALE M=MALE P=PIERCE	CONTACT PLATING	FULL OF GOLD SEMI-GOLD S1=ORDINARY TIN PLATED S2=MATTE TIN PLATED S3=TIN-PLATED HIGH-TEMPERATURE		



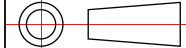
**YLIES** 东莞市瑞翔精密连接器有限公司  
DONG GUAN YLIES PRECISE CONNECTOR CO.,LTD

Tel:0769-85381995 / Fax:0769-85493987 / Email: ylies@ylies.cn / Web:www.ylies.cn

TITLE 538-9.5mm 黑色端子 公座180度 (U344)

DATE 2018-02-18

PROJECTON



REV A

UNIT mm

SCALE 1:1

PAGE 1/1

PART NO: JX762-XXMSS1BBD

DRAWING NO: