

ANGLE	± 5°	REV	LOCAS	DESCRIPTION	DESIGN	DATE	卫国峰
X.XXX	± 0.05	01			DRAWN	DATE	尚伟
X.XX	± 0.15	02			CHECKED	DATE	吴汉学
X.X	± 0.25	03			AUDITED	DATE	龚劲松
X	± 0.50	04			APPROVED	DATE	eric

Specifications/备注 (Remark)

1-材料 (MATERIAL)

胶芯: PA66 UL94V-0

Housing: PA66 UL94V-0

端子: 黄铜

Contact: Phosphor bronze

2-特性 (characteristics):

额定电压: 300V AC/DC

Voltage Rating: 300V AC/DC

额定电流: 20 AMP.(AWG #14-22)

Rating Current: 20 AMP.(AWG #14-22)

接触阻抗: ≤20mΩ MAX.

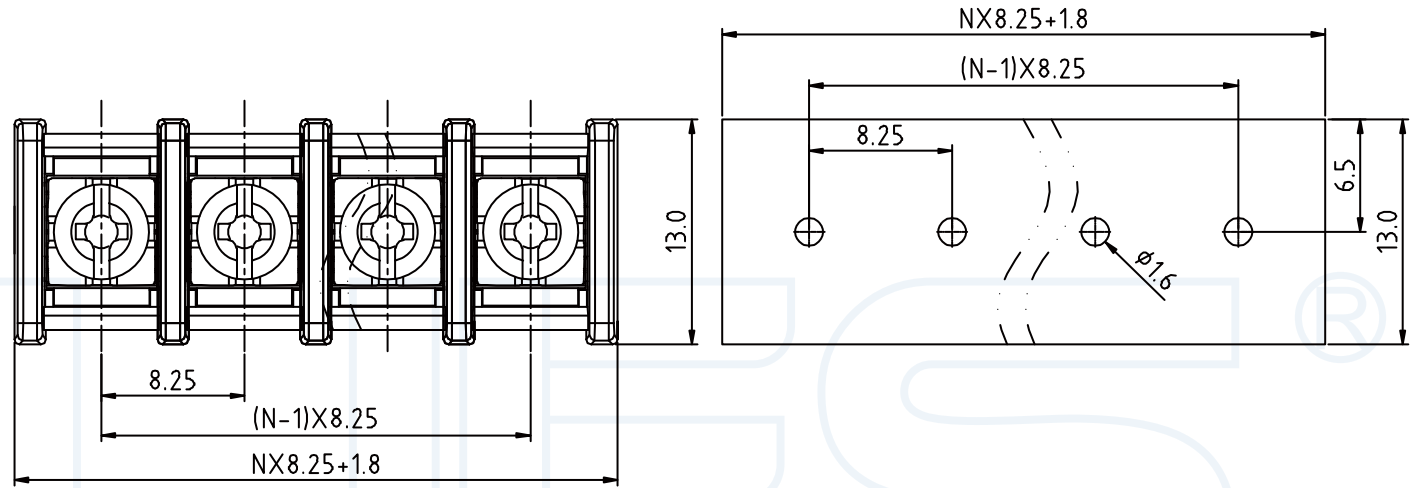
Contact Resistance: ≤20mΩ MAX.

耐电压: 2500V AC/MINUTE

Withstanding Voltage: 2500V AC/MINUTE

温度范围: -40度至+105度

Temperature Range: -40°C to +105°C

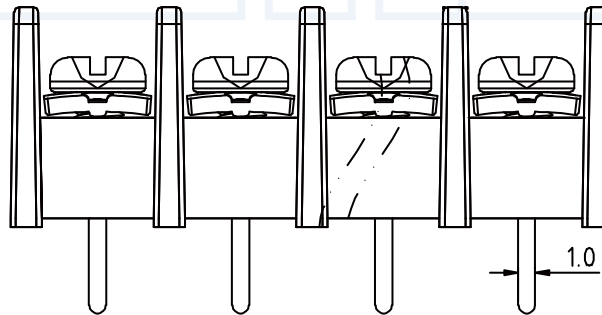


ORDERING INFORMATION

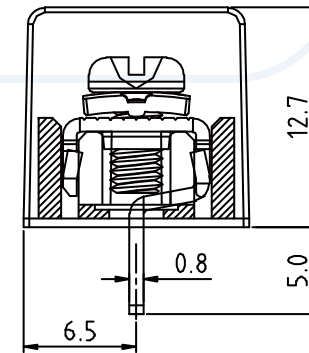
JX 35- XX M R S1 B BD

SERLES NO 825:8.25mm	NVO.OF PINS BLOCKS 02-32P	CONTACT SHAPE S:STRAIGHT R:Right Angle WT:Right Angle SMT	INSULATOR MATERIAL A:PA46 B:PA66 C:PA9T D:LCP	PACKING A:PE Bag B:TUBE C:TRAY D:BOX	COLOUR B:BLACK L:BLUE G:GREE
JX=TERMINAL Per Row	TYPE F=FEMALE M=MALE P=PIERCE	CONTACT PLATING FULL OF GOLD SEMI-GOLD S1=ORDINARY TIN PLATED S2=MATTE TIN PLATED S3=TIN-PLATED HIGH-TEMPERATURE			

N=Number of contacts



P.C.B LAYOUT



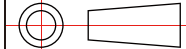
YLIES 东莞市瑞翔精密连接器有限公司
DONG GUAN YLIES PRECISE CONNECTOR CO.,LTD

Tel:0769-85381995 / Fax:0769-85493987 / Email: ylies@ylies.cn / Web:www.ylies.cn

TITLE 536-8.25mm 黑色端子 公座180度 (U141)

DATE 2018-02-18

PROJECTON



REV A

UNIT mm

SCALE 1:1

PAGE 1/1

PART NO: JX508-XXMRS1BBD

DRAWING NO: