

1 2 3 4 5 6 7 8 9

ANGLE	± 5°	REV	LOCAS	DESCRIPTION	DESIGN	DATE	卫国峰
X.XXX	± 0.05	01			DRAWN	DATE	尚伟
X.XX	± 0.15	02			CHECKED	DATE	吴汉学
X.X	± 0.25	03			AUDITED	DATE	龚劲松
X	± 0.50	04			APPROVED	DATE	eric

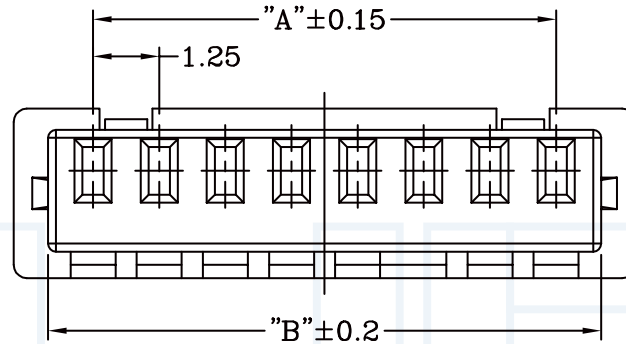
Specifications/备注 (Remark)

1-材料 (MATERIAL)

胶芯: PA66 UL94V-0
Housing: PA66 UL94V-0

2-特性 (characteristics):

额定电压: 50V AC/DC .
Voltage Rating: 50V AC/DC .
额定电流: 1 AMP (AWG #28-32) .
Raring Current: 1 AMP (AWG #28-32) .
接触阻抗: ≤20mΩ MAX.
Contact Resistance: ≤20mΩ MAX.
绝缘阻抗: ≥100MΩMIN.
Insulating Resistance: ≥100MΩMIN.
耐压: 500V AC/MINUTE
Withstanding Voltage: 500V AC/MINUTE
温度范围: -25度至+85度
Temperture Range: -25°Cto +85°C

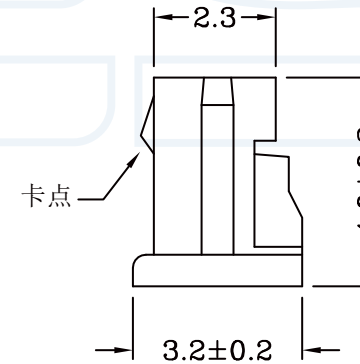
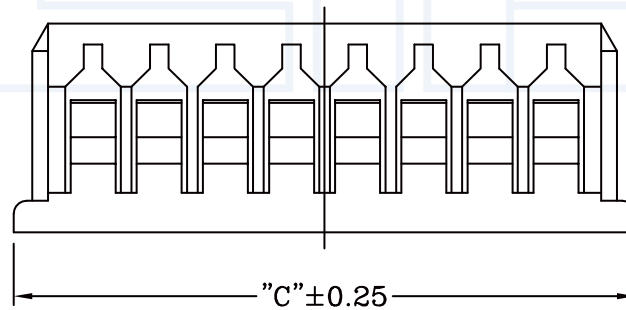


	DIM.A	DIM.B	DIM.C
2	1.25	2.95	4.25
3	2.50	4.20	5.50
4	3.75	5.45	6.75
5	5.00	6.70	8.00
6	6.25	7.95	9.25
7	7.50	9.20	10.50
8	8.75	10.45	11.75
9	10.00	11.70	13.00
10	11.25	12.95	14.25
11	12.50	14.20	15.50
12	13.75	15.45	16.75
13	15.00	16.70	18.00
14	16.25	17.95	19.25
15	17.50	19.20	20.50
16	18.75	20.45	21.75

ORDERING INFORMATION

H 125-XX F XX

NO.OF PINS Per Row 02-16P	INSULATOR MATERIAL A:PA46 B:PA66 C:PA9T D:LCP	PACKING A:PE Bag B:TUBE C:TRAY
SERLES NO 125:1.25mm	TYPE F=FEMALE M=MALE P=PIERCE	



注: 2P~3P: 为一个卡点
4P~16P: 为两个卡点

YLIES 东莞市瑞翔精密连接器有限公司
DONG GUAN YLIES PRECISE CONNECTOR CO.,LTD

Tel:0769-85381995 / Fax:0769-85493987 / Email: ylies@ylies.cn / Web:www.ylies.cn

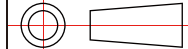
TITLE

344-1.25mm 胶壳单排-A

DATE

2018-02-18

PROJECTON



REV

A

UNIT

mm

SCALE

1:1

PAGE

1/1

PART NO:

H125-XXFAA

DRAWING NO:

1

1 2 3 4 5 6 7 8 9