

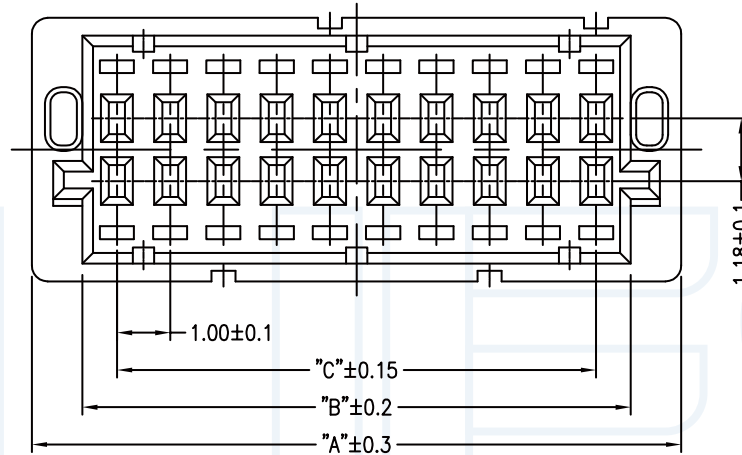
1 2 3 4 5 6 7 8 9

ANGLE	± 5°	REV	LOCAS	DESCRIPTION	DESIGN	DATE	卫国峰
X.XXX	± 0.05	01			DRAWN	DATE	尚伟
X.XX	± 0.15	02			CHECKED	DATE	吴汉学
X.X	± 0.25	03			AUDITED	DATE	龚劲松
X	± 0.50	04			APPROVED	DATE	eric

Poles	DIM.A	DIM.B	DIM.C
2x5	7.2	5.3	4.0
2x10	12.2	10.3	9.0
2x15	17.2	15.3	14.0
2x20	22.2	20.3	19.0
2x25	27.2	25.3	24.0

### Specifications/备注 (Remark)

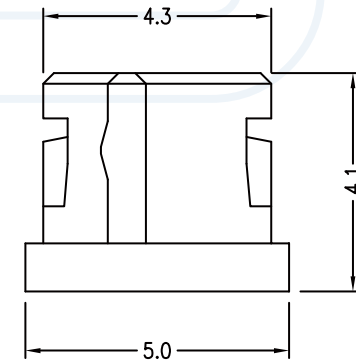
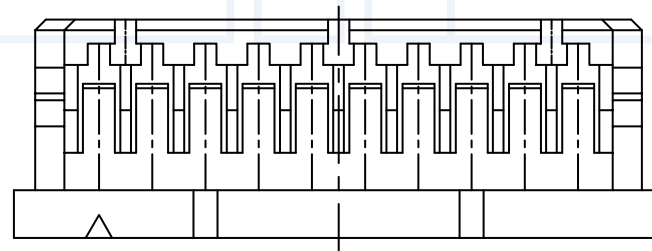
- 1-材料 (MATERIAL)  
 胶芯: PA66 UL94V-0  
 Housing: PA66 UL94V-0
- 2-特性 (characteristics):  
 额定电压: 50V AC/DC .  
 Voltage Rating: 50V AC/DC .  
 额定电流: 1 AMP (AWG #28-32) .  
 Raring Current: 1 AMP (AWG #28-32) .  
 接触阻抗: ≤20mΩ MAX.  
 Contact Resistance: ≤20mΩ MAX.  
 绝缘阻抗: ≥100MΩMIN.  
 Insulating Resistance: ≥100MΩMIN.  
 耐电压: 500V AC/MINUTE  
 Withstanding Voltage: 500V AC/MINUTE  
 温度范围: -25度至+85度  
 Temperture Range: -25°Cto +85°C



### ORDERING INFORMATION

**H 10-XX F XX**

- |                                 |  |   |
|---------------------------------|--|---|
| NO.OF PINS<br>Per Row<br>02-20P | INSULATOR<br>MATERIAL<br>A:PA66<br>B:PA66<br>C:PA9T<br>D:LCP | PACKING<br>A:PE Bag<br>B:TUBE<br>C:TRAY |
| SERLES NO<br>10:1.0mm           | TYPE<br>F=FEMALE<br>M=MALE<br>P=PIERCE                       |   |



3

**YLIES** 东莞市瑞翔精密连接器有限公司  
 DONG GUAN YLIES PRECISE CONNECTOR CO.,LTD

Tel:0769-85381995 / Fax:0769-85493987 / Email: ylies@ylies.cn / Web:www.ylies.cn

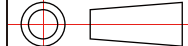
TITLE

338-1.0mm 胶壳双排-B

DATE

2018-02-18

PROJECTON



REV

A

UNIT

SCALE

PAGE

1/1

PART NO:

H10-XXFBA

DRAWING NO:

1 2 3 4 5 6 7 8 9