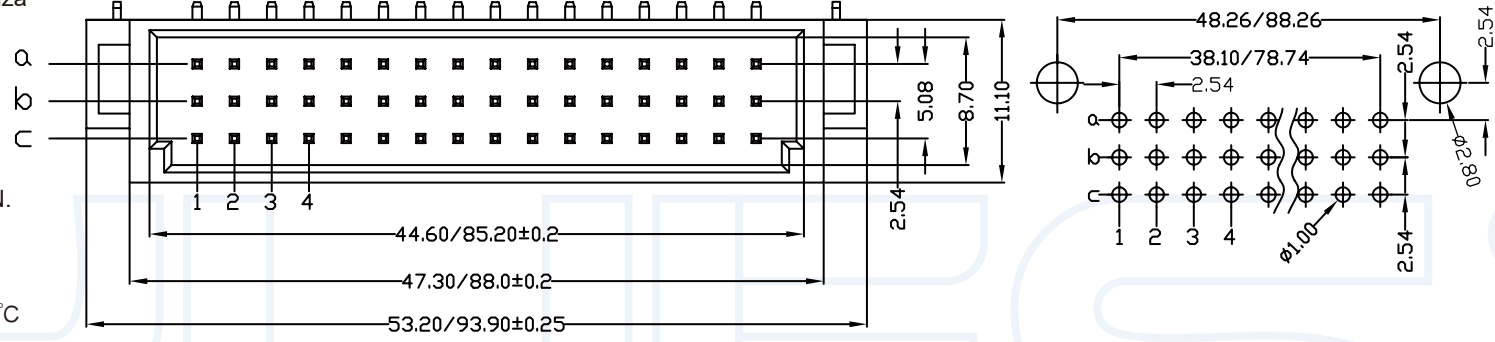


ANGLE	± 5°	REV	LOCAS	DESCRIPTION	DESIGN	DATE	卫国峰
X.XXX	± 0.05	01			DRAWN	DATE	尚伟
X.XX	± 0.15	02			CHECKED	DATE	吴汉学
X.X	± 0.25	03			AUDITED	DATE	龚劲松
X	± 0.50	04			APPROVED	DATE	eric

Specifications/备注 (Remark)

1-材料 (MATERIAL)
 胶芯: PBT+30%G.F UL94V-0
 Housing:PA6T+30%G.F UL94V-0
 端子: 黄铜、磷铜、青铜
 Contact: Brass、Phosphor、bronza

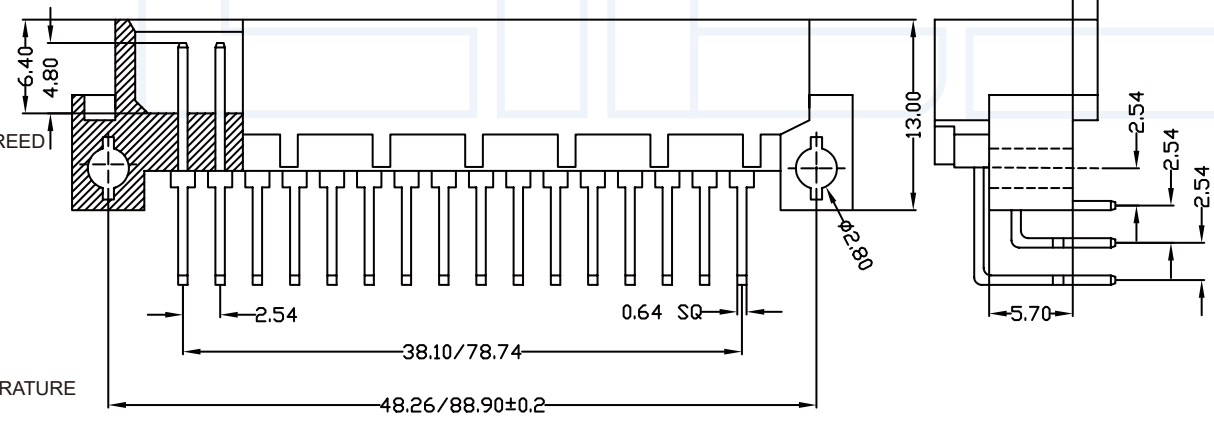
2-特性 (characteristics):
 额定电流: 3 AMP
 Raring Current:3 AMP
 接触阻抗: 30mΩ MAX.
 Contact Resistance:30mΩ MAX.
 绝缘阻抗: 1000MΩMIN.
 Insulating Resistance:1000MΩMIN.
 耐电压: AC 1000V.
 Withstanding Voltage:AC 1000V.
 温度范围: -55度至+105度
 Temperture Range: -55°Cto +105°C



ORDERING INFORMATION

N-3 XX M R XX X X 1

NO.OF PINS 16P Per Row 32P Per Row	TYPE S=180° R=90°	INSULATOR PACKING MATERIAL A:PBT B:TOPE&REED B:PA6T C:TUBE C:PA9T D:TRAY
DIN 41612	TYPE F=FEMALE M=MALE	CONTACT PLATING FULL OF GOLD SEMI-GOLD A0=0.8u" B0=0.8U" A9=30u" B9=30U" S1=ORDINARY TIN PLATED S2=MATTE TIN PLATED S3=TIN-PLATED HIGH-TEMPERATURE



ORDERING INFORMATION

NUMBER OF CONTACTS	Pitch	RDWS/Positions with Contacts
48	96	a+b+c
32A	64A	a+c
32B	64B	a+b
16	32	a
24	48	a+b+c ALL EVEN NO
16	32	a+b ALL EVEN NO

YLIES 东莞市瑞翔精密连接器有限公司
 DONG GUAN YLIES PRECISE CONNECTOR CO.,LTD

TITLE: 321-2.54mm 欧式插针三排 90度
 DATE: 2018-02-18

Tel:0769-85381995 / Fax:0769-85493987 / Email: ylies@ylies.cn / Web:www.ylies.cn

PROJECTON REV A UNIT mm SCALE 1:1 PAGE 1/1

PART NO: N-3XXMRXXXX1 DRAWING NO: