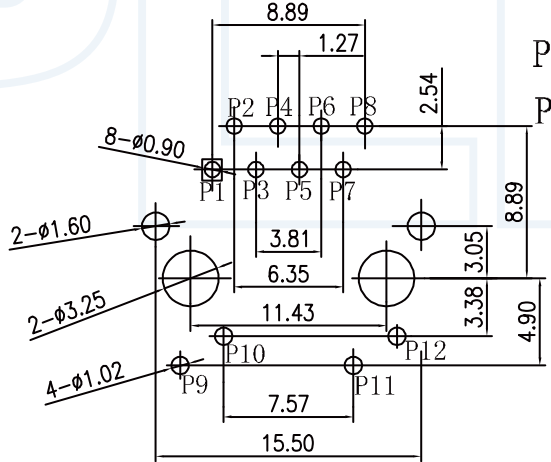
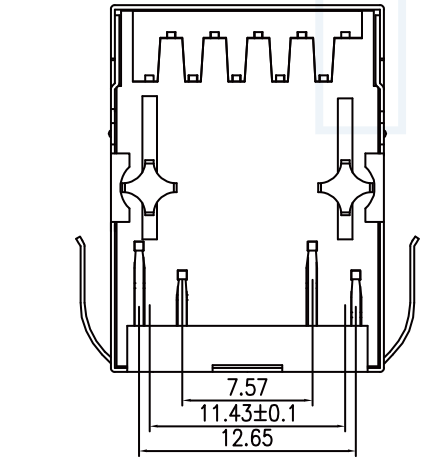
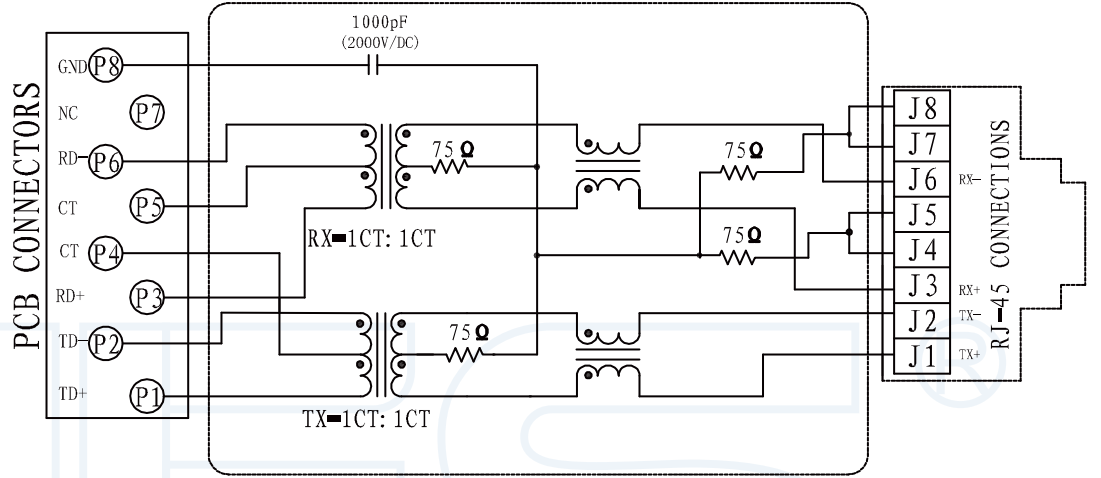
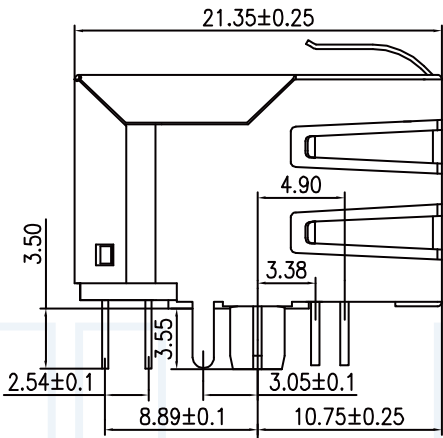
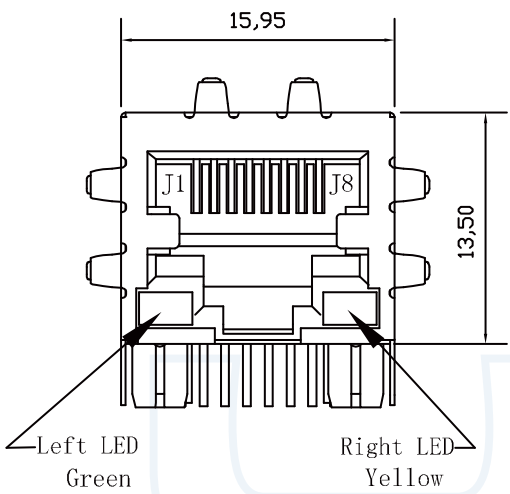
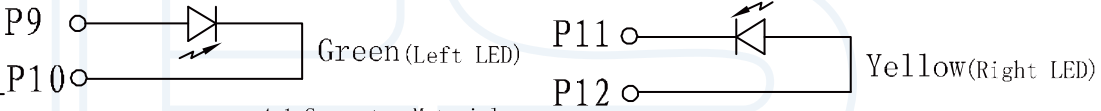


ANGLE	± 5°	REV	LOCAS	DESCRIPTION	DESIGN	DATE	卫国峰
X.XXX	± 0.05	01			DRAWN	DATE	尚伟
X.XX	± 0.15	02			CHECKED	DATE	吴汉学
X.X	± 0.25	03			AUDITED	DATE	龚劲松
X	± 0.50	04			APPROVED	DATE	eric



P.C.B RECOMMENDED HOLE LAYOUT SEEN FROM COMPONENT SIDE.  
ALL CENTERLINE DIMENSIONS ARE BASIC



- 4.1. Connector Material:  
Housing:Thermoplastic UL94 V-0  
Contact/Shield:Cooper alloy  
Shield Plating:Nickel  
Contact Plating:Selective gold 6u": 15u": 30u": 50u"Min
- 4.2.Tolerances comply with F.C.C dimension requirements
- 4.3.Durability:800 mating Min
- 4.4.Meets or Exceeds IEEE802.3af standards including 350uH Min OCL @100KHz 100mV 8mA DC

LED Specification

Standard LED Color	LED Wavelength	Forward (V MAX)	Typical (V TYP)	Luminous Intensity
Green	560-580 nm	2.5V	2.1-2.2V	9-25 MCD
Yellow	580-610 nm	2.5V	2.1-2.2V	9-30 MCD

- 1. LED intensity/wavelength measured with Photo Research PR-650 Colorimeter
- 2. With a forward current of 20 mA, Absolute Maximum Ratings (Ta=25°C)

1\*1 Port RJ-45 Jack  
With 10/100 Base-T Magnetics Module

**YLIES** 东莞市瑞翔精密连接器有限公司  
DONG GUAN YLIES PRECISE CONNECTOR CO.,LTD

Tel:0769-85381995 / Fax:0769-85493987 / Email: ylies@ylies.cn / Web:www.ylies.cn

TITLE 313-RJ45插座1X4P 带灯带弹 DATE 2018-02-18

PROJECTON REV A UNIT mm SCALE 1:1 PAGE 1/1

PART NO: RJ-1104C1009 DRAWING NO: