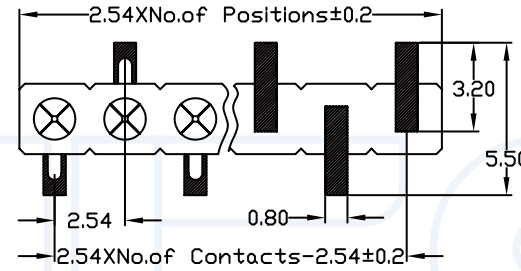
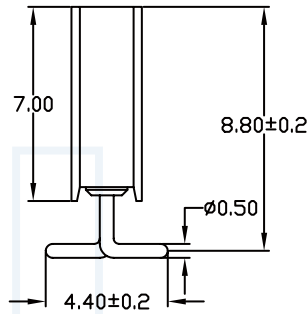


ANGLE	± 5°	REV	LOCAS	DESCRIPTION	DESIGN	DATE	卫国峰
X.XXX	± 0.05	01			DRAWN	DATE	尚伟
X.XX	± 0.15	02			CHECKED	DATE	吴汉学
X.X	± 0.25	03			AUDITED	DATE	龚劲松
X	± 0.50	04			APPROVED	DATE	eric

Specifications/备注 (Remark)

Insulator:Black glass filled polyester
 PPS-GF30-FR
 Fiammability:UL94V-0
 Sleeve:Brass CuZn 36Pb3(36000)
 Contact clip(4 finger):Beryllium copper(C17200)
 Mating pin:Ø0.70 to 0.90mm or 0.635mmSQ
 Forces:(polished steel gauge Ø0.76mm)
 Insertion:1.2 N typ
 Withdrawal:0.6 N typ
 Mechancial life:min 500 cycles
 Rated current:3.0Amp
 Contact resistance:Max 10mΩ
 Dielectric resistance:Min 1000V RMS

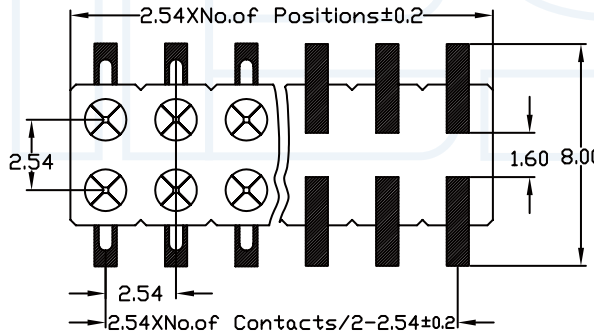
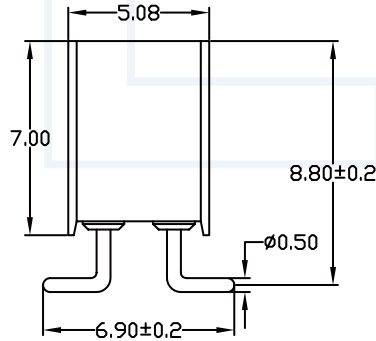


SMT socket connector:single row,
 perpendicular mount with gull-wing
 terminations
 Availability from:3 to 40 contacts
 Standard number of contacts 5, 6, 8, 9,
 10, 11, 12, 14, 16, 17, 20, 25, 30, 32 and 40

ORDERING INFORMATION

R2630-X XX X XG M XXX 1

HEIGHT OF HOUSING: 70:7.0mm
 NO. OF ARRAY PITCH: 0:NO PITCH 3:2.54mm
 INSULATOR MATERIAL: G:PPS
 NO. OF ROW: 1:SINGLE ROW NO. OF PINS PER ROW: 02-40P
 CONTACT PLATING A=1U" B=2U" E=15U" F=30U" S=ORDINARY TIN PLATED H=HALF GOLD PLATED TIN
 LENGTH OF TERMINAL



SMT socket connector:double row,
 perpendicular mount with gull-wing
 terminations
 Availability from:4 to 80 contacts
 Standard number of contacts 20, 56,
 60, 64 and 72

YLIES 东莞市瑞翔精密连接器有限公司
 DONG GUAN YLIES PRECISE CONNECTOR CO.,LTD

Tel:0769-85381995 / Fax:0769-85493987 / Email: ylies@ylies.cn / Web:www.ylies.cn

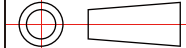
TITLE

282-2.54mm 圆孔排母 SMT

DATE

2018-02-18

PROJECTON



REV
A

UNIT
mm

SCALE
1:1

PAGE
1/1

PART NO:

R2630-XXXXXGMXXX1

DRAWING NO: