

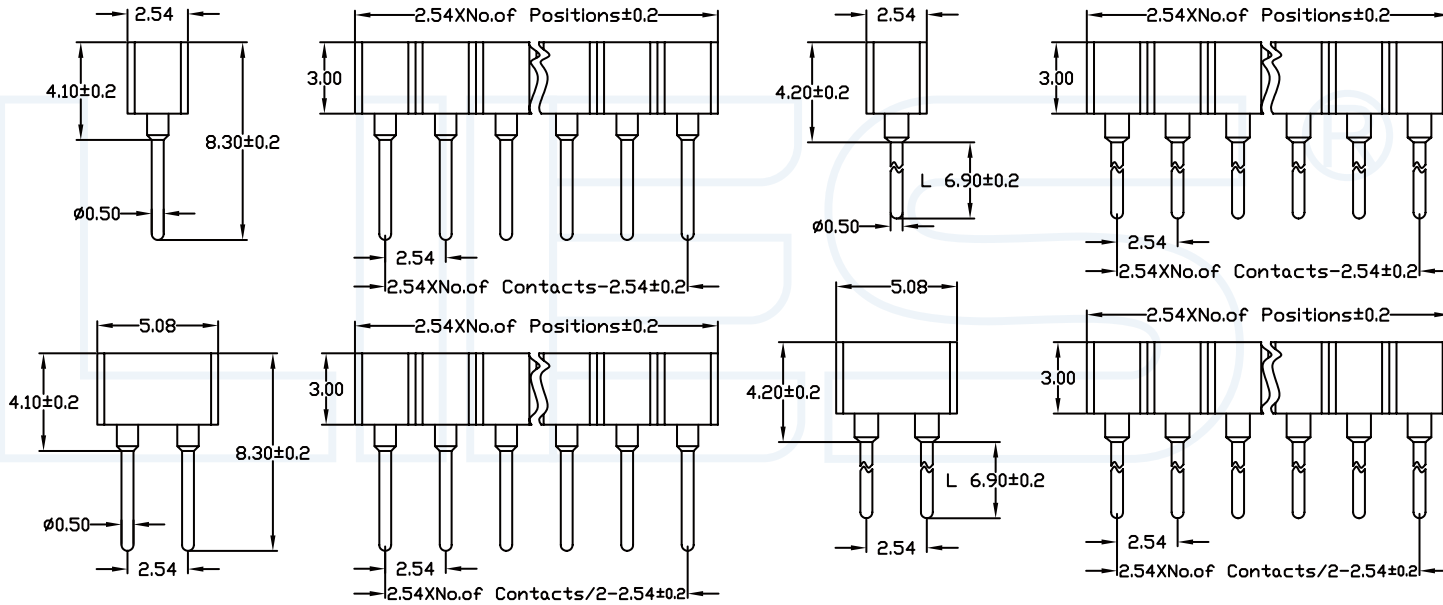
ANGLE	± 5°	REV	LOCAS	DESCRIPTION	DESIGN	DATE	卫国峰
X.XXX	± 0.05	01			DRAWN	DATE	尚伟
X.XX	± 0.15	02			CHECKED	DATE	吴汉学
X.X	± 0.25	03			AUDITED	DATE	龚劲松
X	± 0.50	04			APPROVED	DATE	eric

Specifications/备注 (Remark)

Insulator:Black glass filled polyester
PPS-GF30-FR
Fiammability:UL94V-0
Sleeve:Brass CuZn 36Pb3(36000)
Contact clip(4 finger):Beryllium copper(C17200)
Mating pin:Ø0.40 to 0.56mm
Forces:(polished steel gauge Ø0.43mm)
Insertion:2.0 N typ
Withdrawal:1.0 N typ
Mechanical life:min 500 cycles
Rated current:3.0Amp
Contact resistance:Max 10mΩ
Dielectric resistance:Min 1000V RMS

Stright socket connector height
4.1mm:solder tail, single row
Availability from:1 to 40 contacts
Standard number of contacts 5, 6,
8, 9, 10, 11, 12, 14, 16, 17, 20, 25, 30,
32 and 40

Stright socket connector height
4.1mm:solder tail, double row
Availability from:2 to 80 contacts
Standard number of contacts 20, 56, 60
and 72



ORDERING INFORMATION
R2630-X XX X XG S XXX 1

HEIGHT OF HOUSING: 30:3.0mm
NO. OF ARRAY PITCH: 0:NO PITCH, 3:2.54mm
CONTACT SHAPE: S-STRAIGHT
NO. OF ROW: 1:SINGLE ROW, 2:DUAL ROW
NO. OF PINS PER ROW: 01-40P
CONTACT PLATING: A=1U", B=2U", E=15U", F=30U", S=ORDINARY TIN PLATED, H=HALF GOLD PLATED TIN
INSULATOR MATERIAL: G:PPS
LENGTH OF TERMINAL: 083:8.30mm, 111:11.1mm

Stright socket connector height
4.2mm:solder tail, single row
Availability from:1to 40 contacts
Standard number of contacts 5, 6,
8, 9, 10, 11, 12, 14, 16, 17, 20, 25, 30,
32 and 40

Stright socket connector height
4.2mm:solder tail, double row
Availability from:2 to 80 contacts
Standard number of contacts 20, 56,
60 and 72

YLIES 东莞市瑞翔精密连接器有限公司
DONG GUAN YLIES PRECISE CONNECTOR CO.,LTD

Tel:0769-85381995 / Fax:0769-85493987 / Email: ylies@ylies.cn / Web:www.ylies.cn

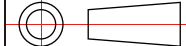
TITLE

274-2.54mm 圆孔排母 180度

DATE

2018-02-18

PROJECTON



REV A

UNIT mm

SCALE 1:1

PAGE 1/1

PART NO:

R2630-XXXXXGSXXX1

DRAWING NO: