

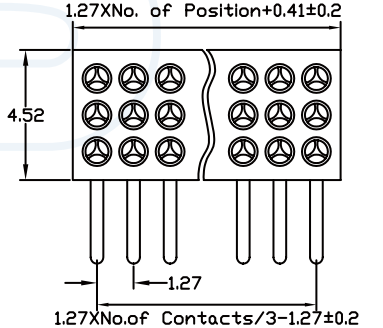
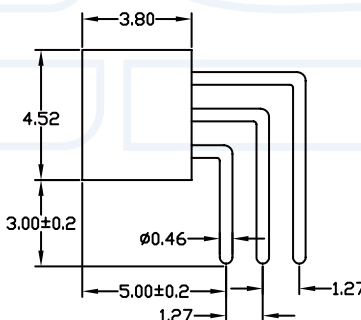
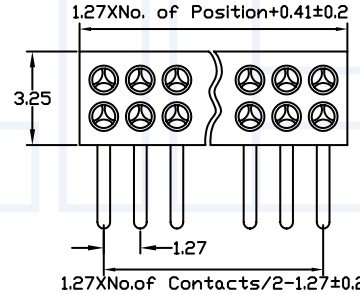
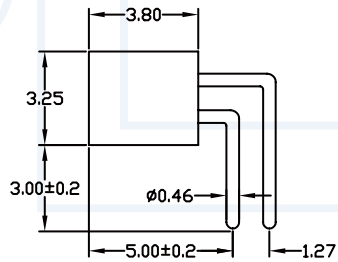
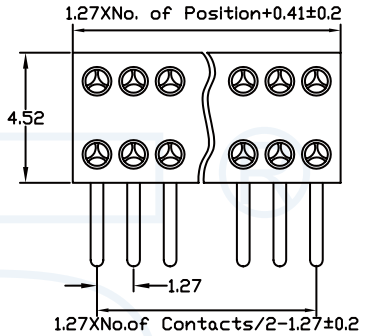
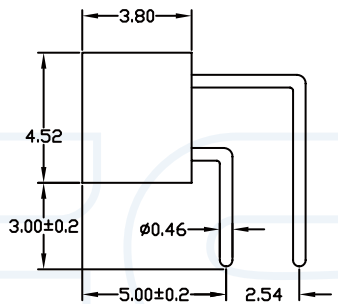
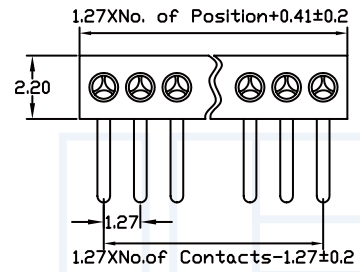
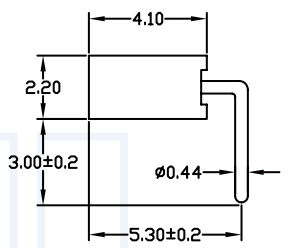
|       |        |     |       |             |          |      |      |
|-------|--------|-----|-------|-------------|----------|------|------|
| ANGLE | ± 5°   | REV | LOCAS | DESCRIPTION | DESIGN   | DATE | 卫国峰  |
| X.XXX | ± 0.05 | 01  |       |             | DRAWN    | DATE | 尚伟   |
| X.XX  | ± 0.15 | 02  |       |             | CHECKED  | DATE | 吴汉学  |
| X.X   | ± 0.25 | 03  |       |             | AUDITED  | DATE | 龚劲松  |
| X     | ± 0.50 | 04  |       |             | APPROVED | DATE | eric |

### Specifications/备注 (Remark)

Insulator:Black glass filled polyester  
 PPS-GF30-FR  
 Fiammability:UL94V-0  
 Sleeve:Brass CuZn 36Pb3(36000)  
 Contact clip(4 finger):Beryllium copper(C17200)  
 Mating pin:Ø0.70 to 0.90mm or 0.635mmSQ  
 Forces:(polished steel gauge Ø0.76mm)  
 Insertion:1.2 N typ  
 Withdrawal:0.6 N typ  
 Mechancial life:min 500 cycles  
 Rated current:3.0Amp  
 Contact resistance:Max 10mΩ  
 Dielectric resistance:Min 1000V RMS

Right socket connector:solder tail  
 single row  
 Availability from:2 to 50 contacts  
 Standard number of contacts 25 and  
 50

Right socket connector:solder tail  
 double row  
 Availability from:4 to 100 contacts  
 Standard number of contacts 50 and  
 100



Right socket connector:solder tail  
 double row with 2.54mm row to row  
 distance  
 Availability from:4 to 100 contacts  
 Standard number of contacts 100

Right socket connector:solder tail  
 triple row  
 Availability from:6 to 150 contacts  
 Standard number of contacts 150

### ORDERING INFORMATION R23XX-X XX X XG R 092 1

HEIGHT OF HOUSING:  
 38:3.8mm  
 41:4.1mm

NO. OF ARRAY PITCH  
 0:NO PITCH  
 1:1.27  
 3:2.54

INSULATOR MATERIAL:  
 G:PPS

NO. OF ROW:  
 1:SINGLE ROW  
 2:DUAL ROW  
 3:THREE ROW

NO. OF PINS PER ROW:  
 02-50P

CONTACT PLATING  
 A=1U"  
 B=2U"  
 ... ..  
 E=15U"  
 F=30U"  
 S=ORDINARY TIN PLATED  
 H=HALF GOLD PLATED TIN

LENGTH OF TERMINAL

|  |  |     |      |                     |      |                   |             |            |  |
|--|--|-----|------|---------------------|------|-------------------|-------------|------------|--|
| 东莞市瑞翔精密连接器有限公司<br>DONG GUAN YLIES PRECISE CONNECTOR CO.,LTD                      |  |     |      | TITLE               |      |                   |             | DATE       |  |
| Tel:0769-85381995 / Fax:0769-85493987 / Email: ylies@ylies.cn / Web:www.ylies.cn |  |     |      | 264-1.27mm 圆孔排母 90度 |      |                   |             | 2018-02-18 |  |
| PROJECTON  |  | REV | UNIT | SCALE               | PAGE | PART NO:          | DRAWING NO: |            |  |
|  |  | A   | mm   | 1:1                 | 1/1  | R23XX-XXXXXXR0921 |             |            |  |