

ANGLE	± 5°	REV	LOCAS	DESCRIPTION	DESIGN	DATE	卫国峰
X.XXX	± 0.05	01			DRAWN	DATE	尚伟
X.XX	± 0.15	02			CHECKED	DATE	吴汉学
X.X	± 0.25	03			AUDITED	DATE	龚劲松
X	± 0.50	04			APPROVED	DATE	eric

Specifications/备注 (Remark)

1-材料 (MATERIAL)

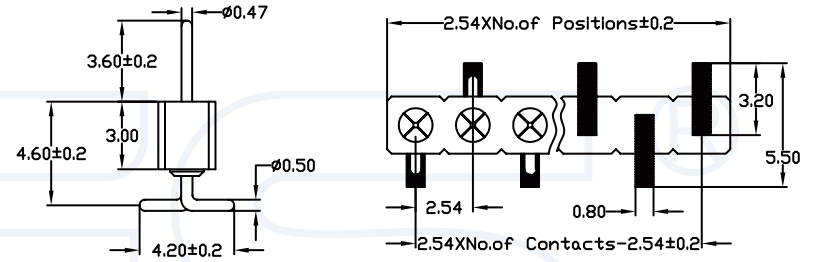
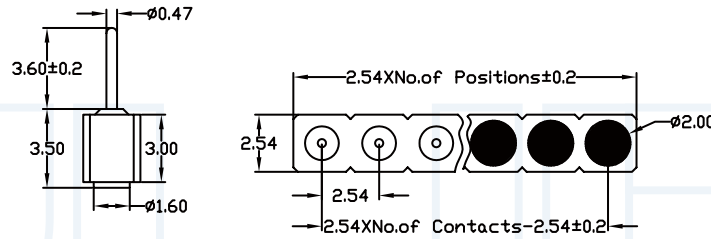
胶芯: PPS+30%G. UL94V-0, 颜色: 黑色
 Housing: PPS+30%G. UL94V-0, Color: Black
 端子: 黄铜
 Contact: Brass CuZn 36Pb3 (C3600)
 相配针: ϕ 0.47mm
 Connecting Pin: ϕ 0.47mm

2-特性 (characteristics):

额定电流: 3.00 AMP
 Raring Current: 3.00 AMP .
 接触阻抗: 20m Ω MAX.
 Contact Resistance: 20m Ω MAX .
 绝缘强度: MIN 1000V RMS.
 Dielectric Strength: MIN 1000V RMS.

SMT pin connector, low profile
 single row, perpendicular mount
 with self-levelling floating
 contacts
 Availability from: 2 to 40 contacts
 Standard number of contacts 5, 6, 8, 9,
 10, 11, 12, 14, 16, 17, 20, 25, 30, 32 and 40

SMT pin connector, low profile
 double row, perpendicular mount
 with self-levelling flating
 contacts
 Availability from: 4 to 80 contacts
 Standard number of contacts 72

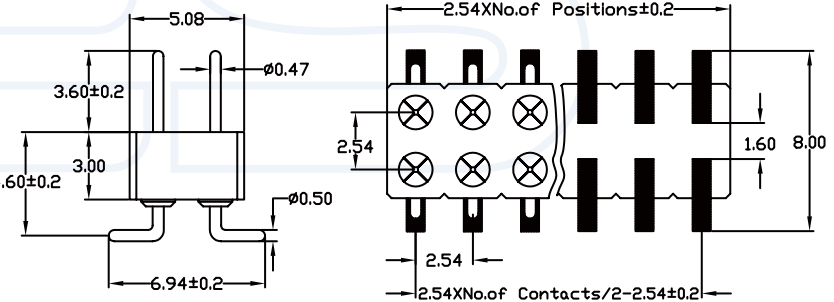
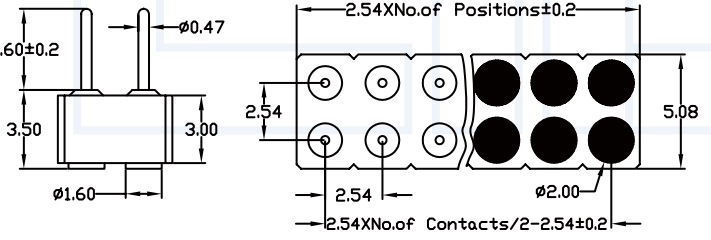


ORDERING INFORMATION

R1630-X XX X XG M XXX1

HEIGHT OF HOUSING: 30:3.0mm
 NO. OF ARRAY PITCH: 0:NO PITCH 3:2.54
 INSULATOR MATERIAL: G:PPS

NO. OF ROW: 1:SINGLE ROW 01-40P 2:DUAL ROW 02-40P
 NO. OF PINS PER ROW: A=1U" B=2U" ... E=15U" F=30U" S=ORDINARY TIN PLATED H=HALF GOLD PLATED TIN
 CONTACT PLATING
 LENGTH OF TERMINAL: 071:7.10mm 098:9.80mm



SMT pin connector: single row,
 perpendicular mount with gull-wing
 terminations
 Availability from: 3 to 40 contacts
 Standard number of contacts 5, 6, 8, 9,
 10, 11, 12, 14, 16, 17, 20, 25, 30, 32 and 40

SMT pin connector: double row,
 perpendicular mount with gull-wing
 terminations
 Availability from: 4 to 80 contacts
 Standard number of contacts 20, 56,
 60, 64 and 72

东莞市瑞翔精密连接器有限公司 DONG GUAN YLIES PRECISE CONNECTOR CO.,LTD Tel:0769-85381995 / Fax:0769-85493987 / Email: ylies@ylies.cn / Web:www.ylies.cn	TITLE	262-2.54mm 圆孔排针 SMT			DATE	2018-02-18		
	PROJECTON	REV	UNIT	SCALE	PAGE	PART NO:	R1630-XXXXXGMXXX1	DRAWING NO:
	A	mm	1:1	1/1				