

ANGLE	± 5°	REV	LOCAS	DESCRIPTION	DESIGN	DATE	卫国峰
X.XXX	± 0.05	01			DRAWN	DATE	尚伟
X.XX	± 0.15	02			CHECKED	DATE	吴汉学
X.X	± 0.25	03			AUDITED	DATE	龚劲松
X	± 0.50	04			APPROVED	DATE	eric

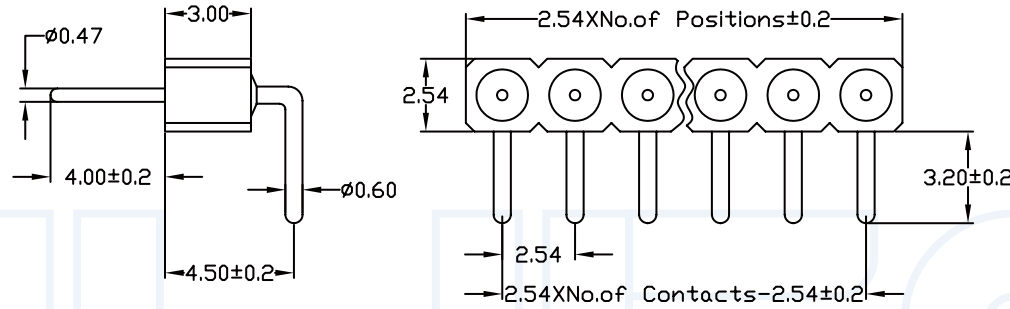
Specifications/备注 (Remark)

1-材料 (MATERIAL)

胶芯: PPS+30%G. UL94V-0, 颜色: 黑色
Housing: PPS+30%G. UL94V-0, Color: Black
端子: 黄铜
Contact: Brass CuZn 36Pb3 (C3600)
相配针: $\phi 0.47$ mm
Connecting Pin: $\phi 0.47$ mm

2-特性 (characteristics):

额定电流: 3.00 AMP
Raring Current: 3.00 AMP .
接触阻抗: 20m Ω MAX.
Contact Resistance: 20m Ω MAX .
绝缘强度: MIN 1000V RMS.
Dielectric Strength: MIN 1000V RMS.

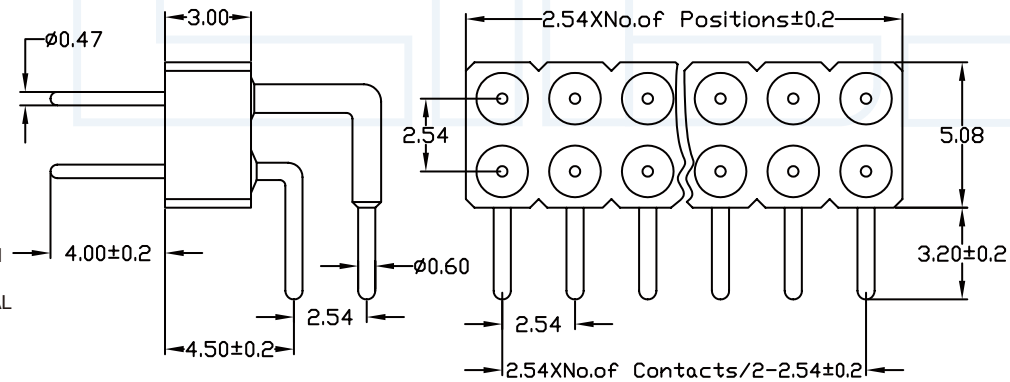


Right angle pin connector: solder tail, single row

Availability from: 2 to 40 contacts
Standard number of contacts 20, 25, 32 and 40

ORDERING INFORMATION R1630-X XX X XG R 1271

HEIGHT OF HOUSING: 30:3.0mm	NO.OF ARRAY PITCH 0:NO PITCH 3:2.54	INSULATOR MATERIAL: G:PPS
NO.OF ROW: 1:SINGLE ROW 2:DUAL ROW	NO.OF PINS PER ROW: 01-40P 02-40P	CONTACT PLATING A=1U" B=2U" E=15U" F=30U" S=ORDINARY TIN PLATED H=HALF GOLD PLATED TIN
	LENGTH OF TERMINAL	



Right angle pin connector: solder tail, double row

Availability from: 4 to 80 contacts
Standard number of contacts 20, 40, 56, 60 and 72

YLIES 东莞市瑞翔精密连接器有限公司
DONG GUAN YLIES PRECISE CONNECTOR CO.,LTD

Tel:0769-85381995 / Fax:0769-85493987 / Email: ylies@ylies.cn / Web:www.ylies.cn

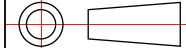
TITLE

261-2.54mm 圆孔排针 90度

DATE

2018-02-18

PROJECTON



REV

A

UNIT

mm

SCALE

1:1

PAGE

1/1

PART NO:

R1630-XXXXXGR1271

DRAWING NO:

1

2

3

4

5

6

7

8

9