

ANGLE	± 5°	REV	LOCAS	DESCRIPTION	DESIGN	DATE	卫国强
X.XXX	± 0.05	01			DRAWN	DATE	尚伟
X.XX	± 0.15	02			CHECKED	DATE	吴汉学
X.X	± 0.25	03			AUDITED	DATE	龚劲松
X	± 0.50	04			APPROVED	DATE	eric

Specifications/备注 (Remark)

1-材料 (MATERIAL)
 胶芯: PPS+30%G. UL94V-0, 颜色: 黑色
 Housing: PPS+30%G. UL94V-0, Color: Black
 端子: 黄铜
 Contact: Brass CuZn 36Pb3 (C3600)
 相配针: $\phi 0.47\text{mm}$
 Connecting Pin: $\phi 0.47\text{mm}$

2-特性 (characteristics):
 额定电流: 3.00 AMP
 Raring Current: 3.00 AMP .
 接触阻抗: 20m Ω MAX.
 Contact Resistance: 20m Ω MAX .
 绝缘强度: MIN 1000V RMS.
 Dielectric Strength: MIN 1000V RMS.

ORDERING INFORMATION
R1630-X XX X XG S XXX1

HEIGHT OF HOUSING: 30:3.0mm

NO. OF ARRAY PITCH: 0:NO PITCH
3:2.54

INSULATOR MATERIAL: G:PPS

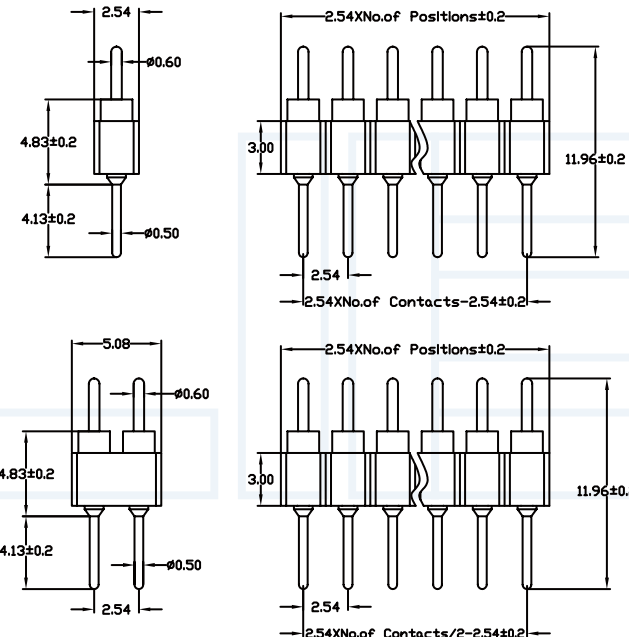
NO. OF ROW: 1:SINGLE ROW
2:DUAL ROW

NO. OF PINS PER ROW: 01-40P
02-40P

CONTACT PLATING: A=1U"
B=2U"
... ..
E=15U"
F=30U"
S=ORDINARY TIN PLATED
H=HALF GOLD PLATED TIN

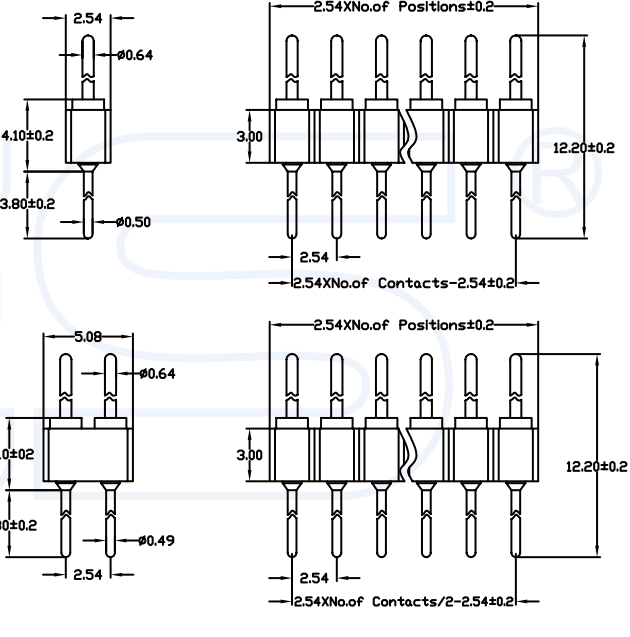
LENGTH OF TERMINAL: 120:11.96mm
122:12.20mm

Stright pin connector height
 4.83mm:solder tail, single row
 Availability from:1 to 40 contacts
 Standard number of contacts 5, 6, 8, 9,
 10, 11, 12, 14, 16, 17, 20, 25, 32 and 40



Stright pin connector height
 4.1mm:solder tail, single row
 Availability from:1 to 40 contacts
 Standard number of contacts 5, 6, 8, 9,
 10, 11, 12, 14, 16, 17, 20, 25, 30, 32and 40

Stright pin connector height
 4.83mm:solder tail, double row
 Availability from:2 to 80 contacts
 Standard number of contacts 20, 56
 60 and 72



Stright pin connector height
 4.1mm:solder tail, double row
 Availability from:2 to 80 contacts
 Standard number of contacts 20, 56
 60 and 72

PROJECTON		REV	UNIT	SCALE	PAGE	TITLE	DATE
		A	mm	1:1	1/1	260-2.54mm 圆孔排针 180度	2018-02-18
PART NO:		R1630-XXXXXGSXXX1		DRAWING NO:			

YLIES 东莞市瑞翔精密连接器有限公司
 DONG GUAN YLIES PRECISE CONNECTOR CO.,LTD
 Tel:0769-85381995 / Fax:0769-85493987 / Email: ylies@ylies.cn / Web:www.ylies.cn