

1 2 3 4 5 6 7 8 9

ANGLE	± 5°	REV	LOCAS	DESCRIPTION	DESIGN	DATE	卫国峰
X.XXX	± 0.05	01			DRAWN	DATE	尚伟
X.XX	± 0.15	02			CHECKED	DATE	吴汉学
X.X	± 0.25	03			AUDITED	DATE	龚劲松
X	± 0.50	04			APPROVED	DATE	eric

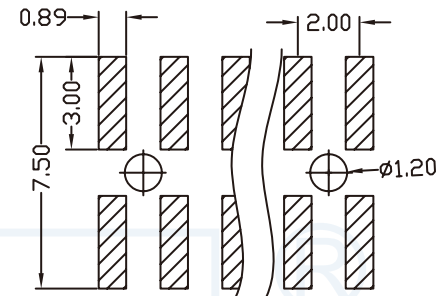
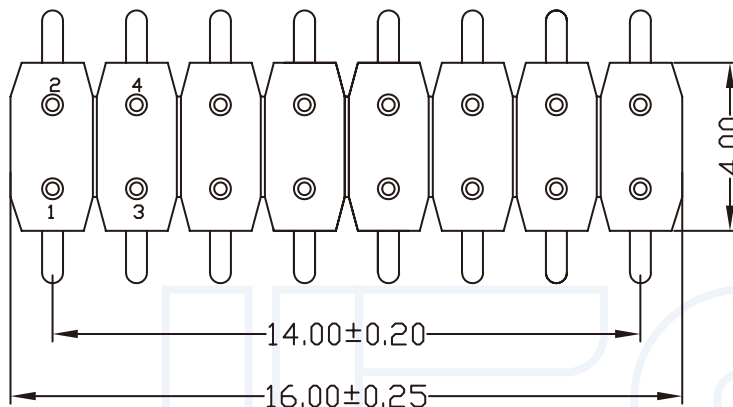
Specifications/备注 (Remark)

1-材料 (MATERIAL)

胶芯: PA9T/LCP+30%G. UL94V-0, 颜色: 黑色
 Housing: PA9T/LCP+30%G. UL94V-0, Color: Black
 端子: 黄铜
 Contact: Brass CuZn 36Pb3 (C3600)

2-特性 (characteristics):

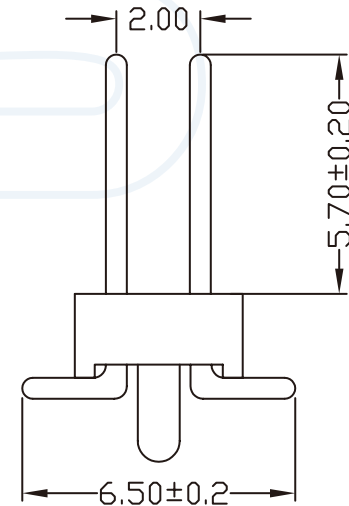
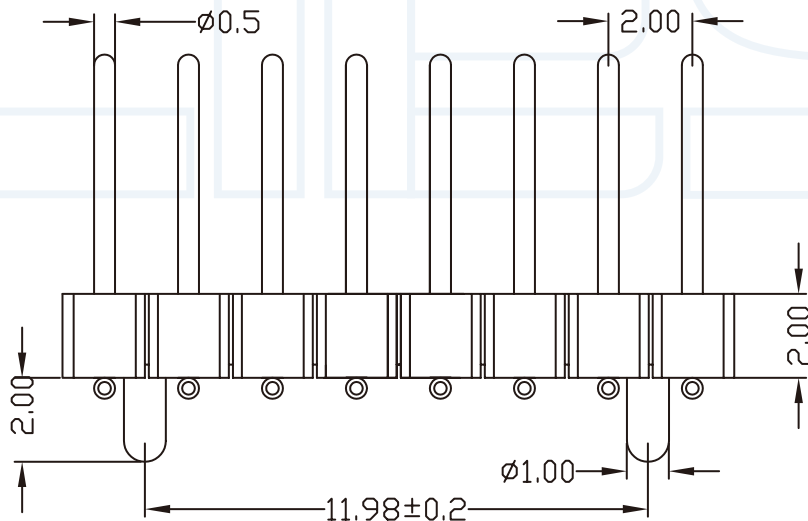
额定电流: 2.00 AMP
 Raring Current: 2.00 AMP .
 接触阻抗: 20mΩ MAX.
 Contact Resistance: 20mΩ MAX .
 绝缘阻抗: 1000MΩMIN.
 Insulating Resistance: 1000MΩMIN.
 耐电压: AC 500V.
 Withstanding Voltage: AC 500V.
 温度范围: -40度至+105度
 Temperature Range: -40°Cto +105°C



ORDERING INFORMATION

R1520-12 XX XX C R XX XX

NO.OF PIGNS PER ROW: 02-40P	INSULATOR MATERIAL: B:PA6T C:PA9T D:LCP	LENGTH OF TERMINAL	PACKING OF A:PE BAG B:TAPE&REEL C:TUBE D:TUBE+CAP
CONTACT PLATING A0=0.8U" B0=0.8U" A9=30U" B9=30U"	CONTACT SHAPE: S:STRAIGHT R:RIGHT ANGLE M:SMT	JOURNAL NUMBER 1:TYPE1 2:TYPE2	
S1=ORDINARY TIN PLATED S2=MATTE TIN PLATED S3=TIN-PLATED HIGH-TEMPERATURE			



YLIES 东莞市瑞翔精密连接器有限公司
 DONG GUAN YLIES PRECISE CONNECTOR CO.,LTD

Tel:0769-85381995 / Fax:0769-85493987 / Email: ylies@ylies.cn / Web:www.ylies.cn

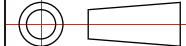
TITLE

244-2.00mm 双排圆针 SMT及带定位柱

DATE

2018-02-18

PROJECTON



REV

UNIT

SCALE

PAGE

PART NO:

R1520-12XXXXCMXXXX

DRAWING NO:

1 2 3 4 5 6 7 8 9