

1 2 3 4 5 6 7 8 9

ANGLE	± 5°	REV	LOCAS	DESCRIPTION	DESIGN	DATE	卫国峰
X.XXX	± 0.05	01			DRAWN	DATE	尚伟
X.XX	± 0.15	02			CHECKED	DATE	吴汉学
X.X	± 0.25	03			AUDITED	DATE	龚劲松
X	± 0.50	04			APPROVED	DATE	eric

NAME	DIM"L"	DIM"H"
Long Latch	24.00	11.50
Short Latch	21.20	8.70

Specifications/备注 (Remark)

1-材料 (MATERIAL)

胶芯: PA6T/LCP+30%G.F UL94V-0, 颜色: 黑色
 Housing: PA6T/LCP+30%G.F UL94V-0, Color: Black
 四方针: 黄铜/镍底30u"MIN/表面镀金0.8u"MIN
 Contact: Brass/0.8u"MIN GOLD PLATING
 OVER ALL 30u"MIN NICKEL UNDERPLATING
 OVER ALL

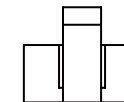
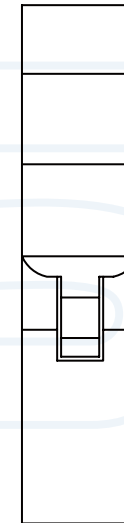
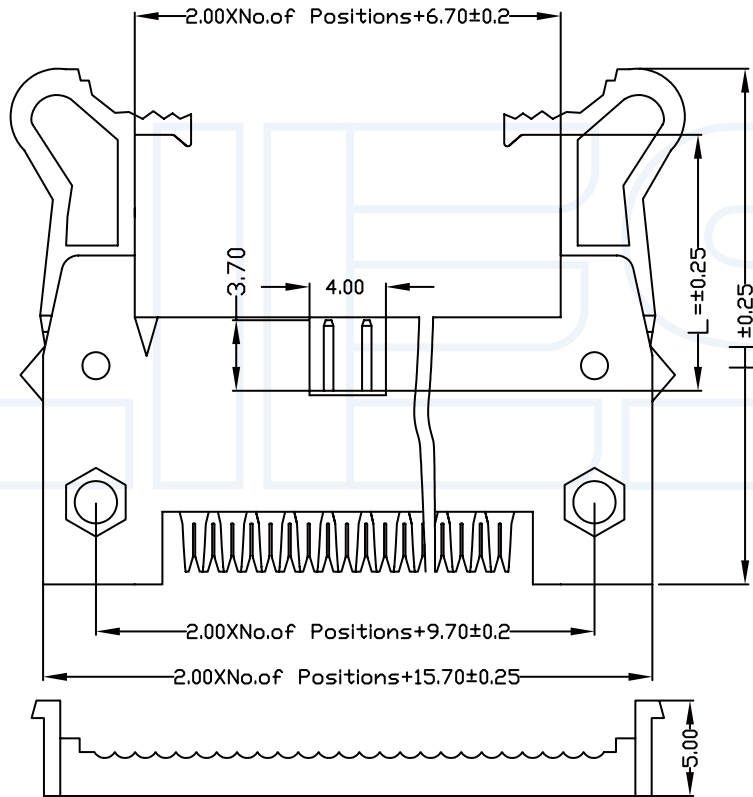
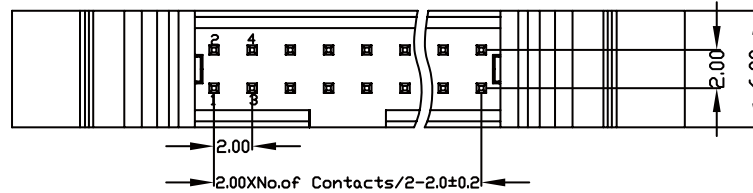
2-特性 (characteristics):

额定电流: 2 AMP
 Raring Current: 2 AMP .
 接触阻抗: 20mΩ MAX.
 Contact Resistance: 20mΩ MAX .
 绝缘阻抗: 1000MΩMIN.
 Insulating Resistance: 1000MΩMIN.
 耐电压: AC 500V.
 Withstanding Voltage: AC 500V.
 温度范围: -40度至+105度
 Temperture Range: -40°Cto +105°C

ORDERING INFORMATION

4504-1 XX XX X CX X 1

NO.OF PINS PER ROW 06-64P	INSULATOR MATERIAL B:PA6T C:PA9T D:LCP	PACKING A:PE Bag B:TOPE&REED C:TUBE D:TUBE+CAP E:TRAY
CONTACT PLATING FULL OF GOLD SEMI-GOLD A0=0.8u" B0=0.8U" A9=30u" B9=30U"	
S1=ORDINARY TIN PLATED S2=MATTE TIN PLATED S3=TIN-PLATED HIGH-TEMPERATURE		



YLIES 东莞市瑞翔精密连接器有限公司
 DONG GUAN YLIES PRECISE CONNECTOR CO.,LTD

Tel:0769-85381995 / Fax:0769-85493987 / Email: ylies@ylies.cn / Web:www.ylies.cn

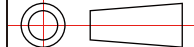
TITLE

209-2.00mm 压线式牛角 无耳

DATE

2018-02-18

PROJECTON



REV

A

UNIT

SCALE

PAGE

PART NO:

4504-1XXXXXCXX1

DRAWING NO:

1 2 3 4 5 6 7 8 9