

ANGLE	± 5°	REV	LOCAS	DESCRIPTION	DESIGN	DATE	卫国峰
X.XXX	± 0.05	01			DRAWN	DATE	尚伟
X.XX	± 0.15	02			CHECKED	DATE	吴汉学
X.X	± 0.25	03			AUDITED	DATE	龚劲松
X	± 0.50	04			APPROVED	DATE	eric

Specifications/备注 (Remark)

1-材料 (MATERIAL)

胶芯: PA6T/PA9T+30%G.F UL94V-0, 颜色: 黑色
Housing: PA6T/PA9T+30%G.F UL94V-0, Color: Black
四方针: 黄铜/镍底30u"MIN/表面镀金0.8u"MIN
Contact: Brass/0.8u"MIN GOLD PLATING
OVER ALL 30u"MIN NICKEL UNDERPLATING
OVER ALL

2-特性 (characteristics):

额定电流: 3 AMP
Raring Current: 3 AMP .
接触阻抗: 20mΩ MAX.
Contact Resistance: 20mΩ MAX .
绝缘阻抗: 1000MΩMIN.
Insulating Resistance: 1000MΩMIN.
耐电压: AC 500V.
Withstanding Voltage: AC 500V.
温度范围: -40度至+105度
Temperature Range: -40°Cto +105°C

ORDERING INFORMATION

2685-12 XX XX X SY X 2

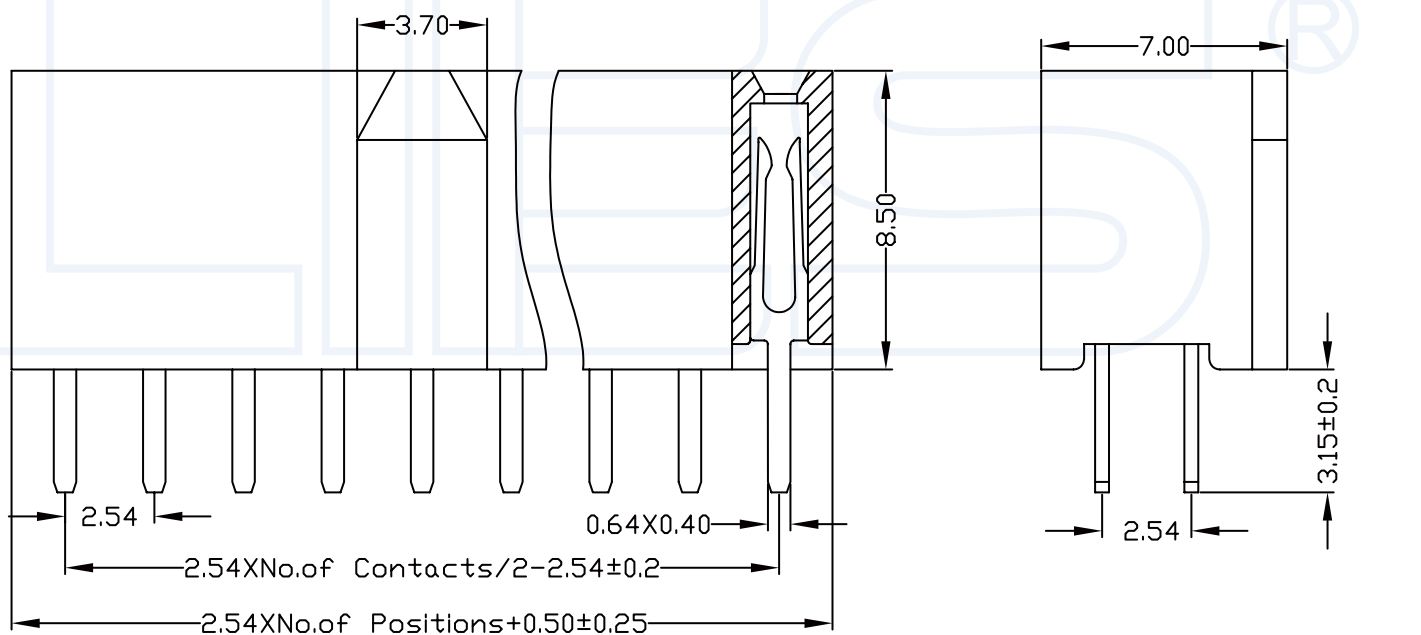
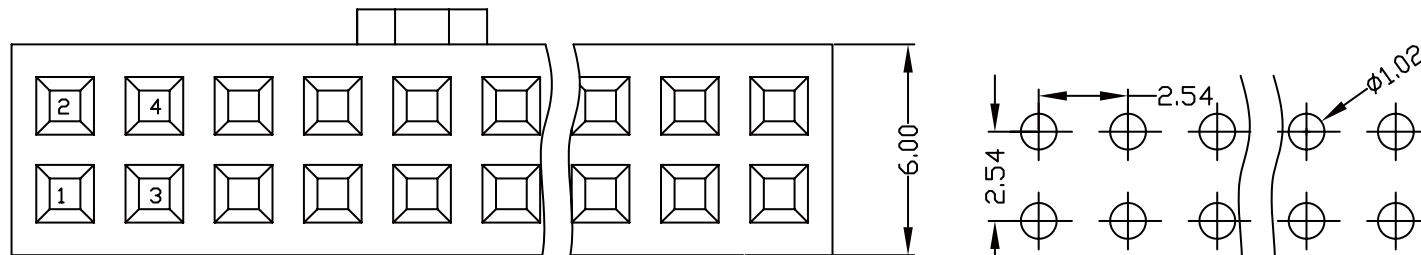
NO.OF PINS
PER ROW
02-40P

INSULATOR
MATERIAL
B:PA6T
C:PA9T
D:LCP

PACKING
A:PE Bag
B:TOPE&REED
C:TUBE
D:TUBE+CAP
E:TRAY

CONTACT PLATING
FULL OF GOLD SEMI-GOLD
A0=0.8u" B0=0.8U"

.....
A9=30u" B9=30U"
S1=ORDINARY TIN PLATED
S2=MATTE TIN PLATED
S3=TIN-PLATED HIGH-TEMPERATURE



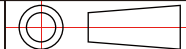
YLIES 东莞市瑞翔精密连接器有限公司
DONG GUAN YLIES PRECISE CONNECTOR CO.,LTD

Tel:0769-85381995 / Fax:0769-85493987 / Email: ylies@ylies.cn / Web:www.ylies.cn

TITLE 159-2.54mm 双排排母 Y端 180度 带凸点

DATE 2018-02-18

PROJECTON



REV A

UNIT mm

SCALE 1:1

PAGE 1/1

PART NO: 2685-12XXXXXXSYX2

DRAWING NO: