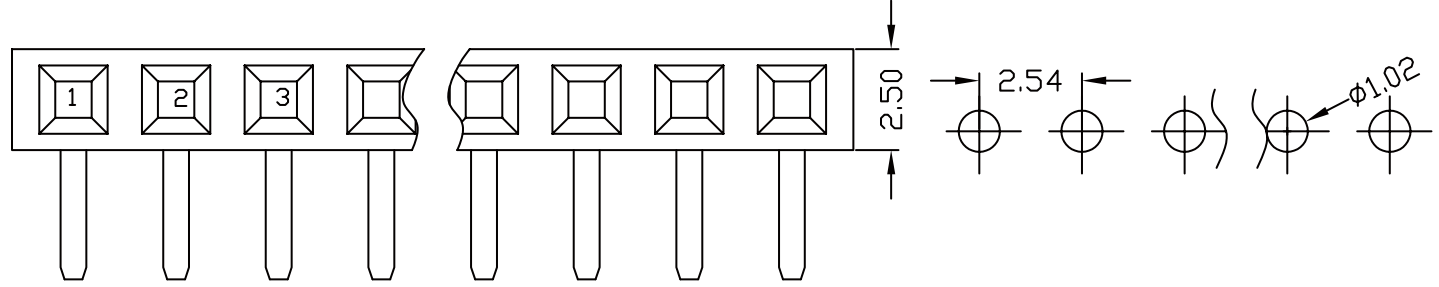


| | | | | | | | |
|-------|--------|-----|-------|-------------|----------|------|------|
| ANGLE | ± 5° | REV | LOCAS | DESCRIPTION | DESIGN | DATE | 卫国峰 |
| X.XXX | ± 0.05 | 01 | | | DRAWN | DATE | 尚伟 |
| X.XX | ± 0.15 | 02 | | | CHECKED | DATE | 吴汉学 |
| X.X | ± 0.25 | 03 | | | AUDITED | DATE | 龚劲松 |
| X | ± 0.50 | 04 | | | APPROVED | DATE | eric |

Specifications/备注 (Remark)

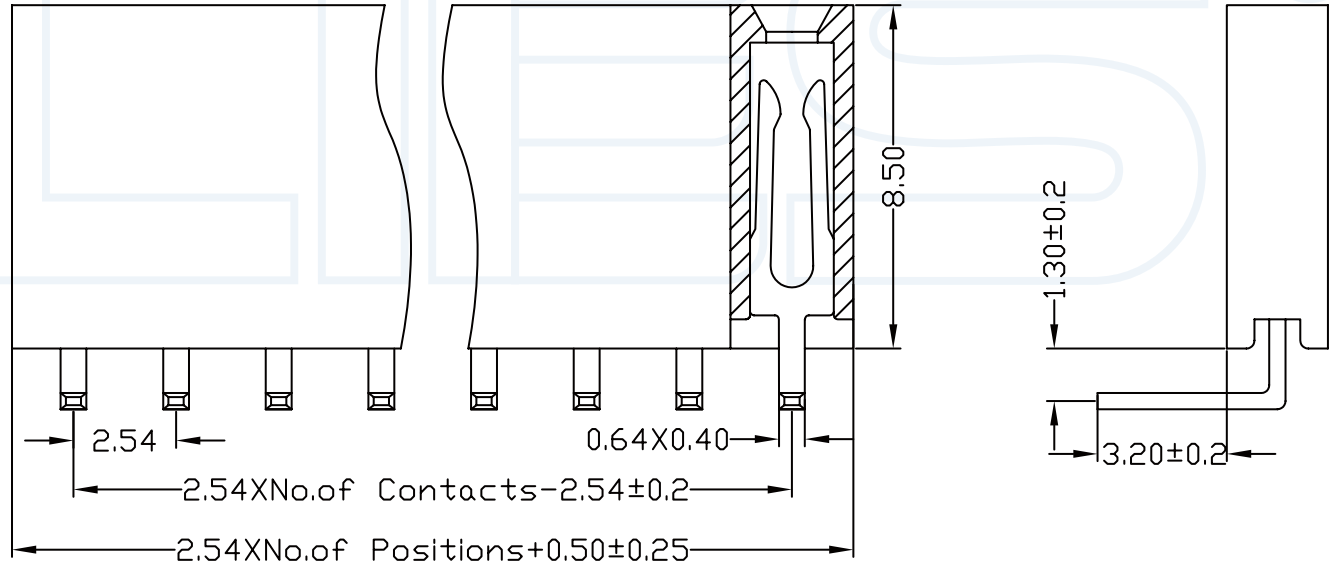
1-材料 (MATERIAL)
 胶芯: PA6T/PBT+30%G.F UL94V-0, 颜色: 黑色
 Housing: PA6T/PBT+30%G.F UL94V-0, Color: Black
 四方针: 黄铜/镍底30u"MIN/表面镀金0.8u"MIN
 Contact: Brass/0.8u"MIN GOLD PLATING
 OVER ALL 30u"MIN NICKEL UNDERPLATING
 OVER ALL

2-特性 (characteristics):
 额定电流: 3 AMP
 Raring Current: 3 AMP .
 接触阻抗: 20mΩ MAX.
 Contact Resistance: 20mΩ MAX .
 绝缘阻抗: 1000MΩMIN.
 Insulating Resistance: 1000MΩMIN.
 耐电压: AC 500V.
 Withstanding Voltage: AC 500V.
 温度范围: -40度至+105度
 Temperture Range: -40°Cto +105°C



ORDERING INFORMATION
2685-11 XX XX X RY X 1

| | | |
|--|--|--|
| NO.OF PINS PER ROW 02-40P | INSULATOR MATERIAL B:PA6T C:PA9T D:LCP | PACKING A:PE Bag B:TOPE&REED C:TUBE D:TUBE+CAP E:TRAY |
| CONTACT PLATING FULL OF GOLD SEMI-GOLD A0=0.8u" B0=0.8U" A9=30u" B9=30U" S1=ORDINARY TIN PLATED S2=MATTE TIN PLATED S3=TIN-PLATED HIGH-TEMPERATURE | | |



YLIES 东莞市瑞翔精密连接器有限公司
 DONG GUAN YLIES PRECISE CONNECTOR CO.,LTD

TITLE: 154-2.54mm 单排排母 Y端 90度 DATE: 2018-02-18

Tel:0769-85381995 / Fax:0769-85493987 / Email: ylies@ylies.cn / Web:www.ylies.cn

PROJECTON REV A UNIT mm SCALE 1:1 PAGE 1/1

PART NO: 2685-11XXXXXRYX1 DRAWING NO: