

ANGLE	± 5°	REV	LOCAS	DESCRIPTION	DESIGN	DATE	卫国峰
X.XXX	± 0.05	01			DRAWN	DATE	尚伟
X.XX	± 0.15	02			CHECKED	DATE	吴汉学
X.X	± 0.25	03			AUDITED	DATE	龚劲松
X	± 0.50	04			APPROVED	DATE	eric

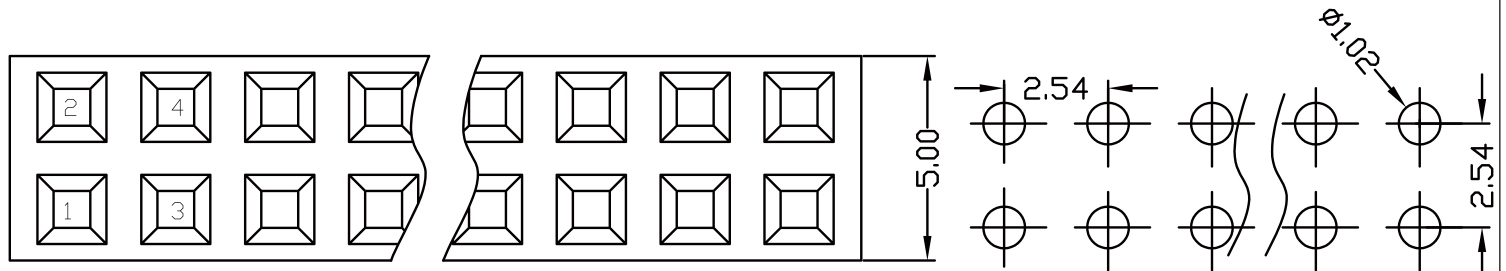
Specifications/备注 (Remark)

1-材料 (MATERIAL)

胶芯: PA6T/PBT+30%G.F UL94V-0, 颜色: 黑色
 Housing:PA6T/PBT+30%G.F UL94V-0,Color:Black
 四方针: 黄铜/镍底30u"MIN/表面镀金0.8u"MIN
 Contact: Brass/0.8u"MIN GOLD PLATING
 OVER ALL 30u"MIN NICKEL UNDERPLATING
 OVER ALL

2-特性 (characteristics):

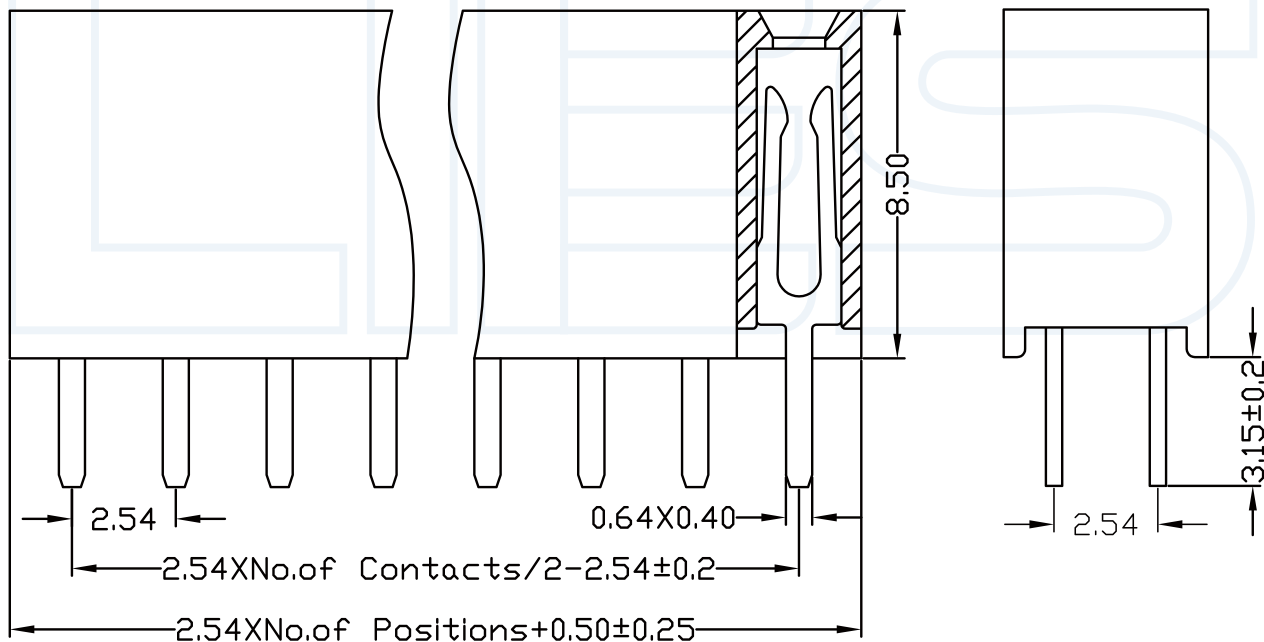
额定电流: 3 AMP
 Raring Current:3 AMP .
 接触阻抗: 20mΩ MAX.
 Contact Resistance:20mΩ MAX .
 绝缘阻抗: 1000MΩMIN.
 Insulating Resistance:1000MΩMIN.
 耐电压: AC 500V.
 Withstanding Voltage:AC 500V.
 温度范围: -40度至+105度
 Temperature Range: -40°Cto +105°C



ORDERING INFORMATION

2685-12 XX XX X SY X 1

NO.OF PINS PER ROW 02-40P	INSULATOR MATERIAL B:PA6T C:PA9T D:LCP	PACKING A:PE Bag B:TOPE&REED C:TUBE D:TUBE+CAP E:TRAY
CONTACT PLATING FULL OF GOLD SEMI-GOLD A0=0.8u" B0=0.8u"
A9=30u" B9=30u"	S1=ORDINARY TIN PLATED	S2=MATTE TIN PLATED
S3=TIN-PLATED HIGH-TEMPERATURE		



YLIES 东莞市瑞翔精密连接器有限公司
 DONG GUAN YLIES PRECISE CONNECTOR CO.,LTD

Tel:0769-85381995 / Fax:0769-85493987 / Email: ylies@ylies.cn / Web:www.ylies.cn

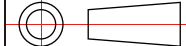
TITLE

153-2.54mm 双排排母 Y端 180度

DATE

2018-02-18

PROJECTON



REV

A

UNIT

mm

SCALE

1:1

PAGE

1/1

PART NO:

2685-12XXXXXSX1

DRAWING NO:

1

2

3

4

5

6

7

8

9