

ANGLE	± 5°	REV	LOCAS	DESCRIPTION	DESIGN	DATE	卫国峰
X.XXX	± 0.05	01			DRAWN	DATE	尚伟
X.XX	± 0.15	02			CHECKED	DATE	吴汉学
X.X	± 0.25	03			AUDITED	DATE	龚劲松
X	± 0.50	04			APPROVED	DATE	eric

Specifications/备注 (Remark)

1-材料 (MATERIAL)

胶芯: PA6T+30%G.F UL94V-0, 颜色: 黑色
 Housing: PA6T+30%G.F UL94V-0, Color: Black
 四方针: 黄铜/镍底30u"MIN/表面镀金0.8u"MIN
 Contact: Brass/0.8u"MIN GOLD PLATING
 OVER ALL 30u"MIN NICKEL UNDERPLATING
 OVER ALL

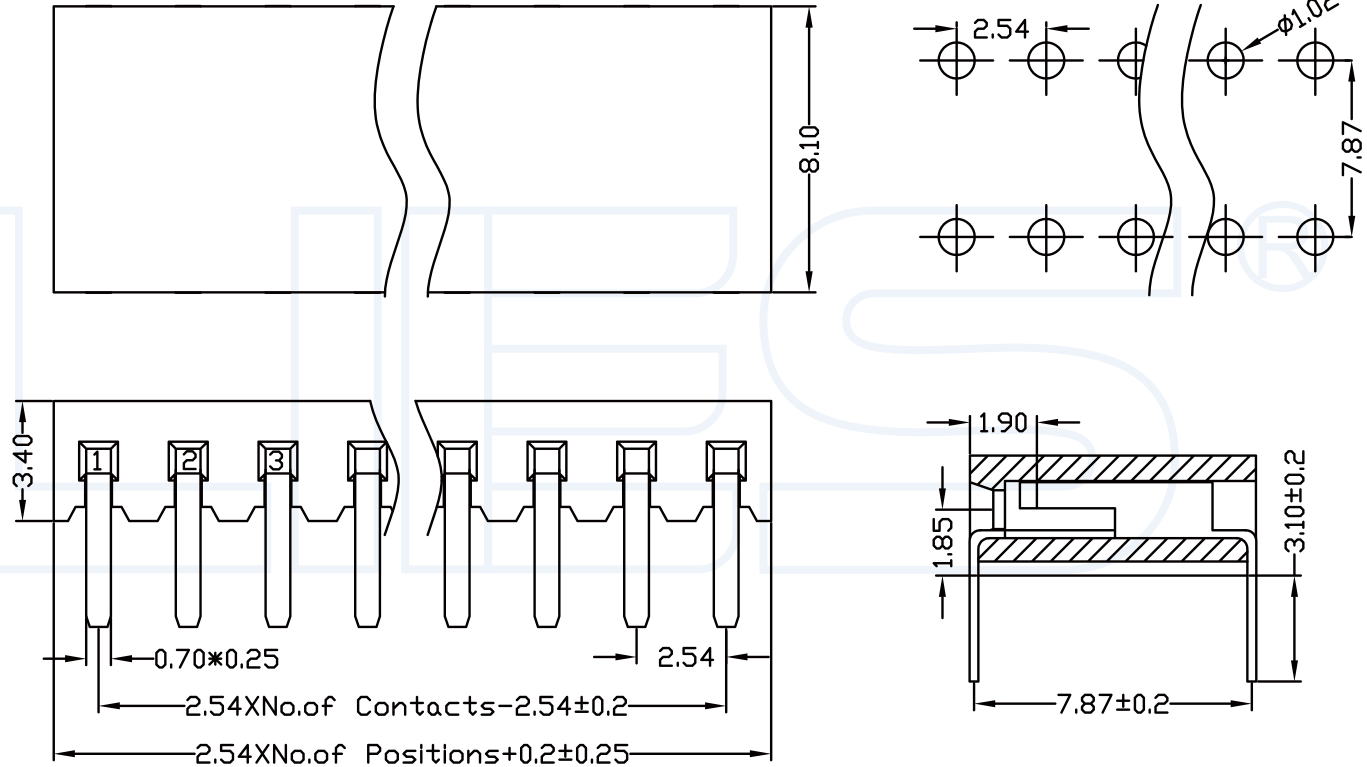
2-特性 (characteristics):

额定电流: 3 AMP
 Raring Current: 3 AMP .
 接触阻抗: 20mΩ MAX.
 Contact Resistance: 20mΩ MAX .
 绝缘阻抗: 1000MΩMIN.
 Insulating Resistance: 1000MΩMIN.
 耐电压: AC 500V.
 Withstanding Voltage: AC 500V.
 温度范围: -40度至+105度
 Temperature Range: -40°Cto +105°C

ORDERING INFORMATION

2634-11 XX XX X RU X 1

NO. OF PINS PER ROW 02-40P	INSULATOR MATERIAL B: PA6T C: PA9T D: LCP	PACKING A: PE Bag B: TOPE&REED C: TUBE D: TUBE+CAP E: TRAY
CONTACT PLATING FULL OF GOLD SEMI-GOLD A0=0.8u" B0=0.8U" A9=30u" B9=30U" S1=ORDINARY TIN PLATED S2=MATTE TIN PLATED S3=TIN-PLATED HIGH-TEMPERATURE		



YLIES 东莞市瑞翔精密连接器有限公司
 DONG GUAN YLIES PRECISE CONNECTOR CO.,LTD

Tel: 0769-85381995 / Fax: 0769-85493987 / Email: ylies@ylies.cn / Web: www.ylies.cn

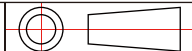
TITLE

121-2.54mm 单排排母 侧插90度

DATE

2018-02-18

PROJECTON



REV
A

UNIT
mm

SCALE
1:1

PAGE
1/1

PART NO:

2634-11XXXXXRUX1

DRAWING NO: